



TPIC-P20-10/J1900

Xinje 10.1-inch industrial tablet PC adopts the Celeron J1900 series processor. The front panel has a protection level of IP65 and has the features of anti-static, anti-surge, and anti-interference. Supports multiple signal inputs, with the features of low-power and fanless, and a rich variety of I/O interfaces. Supports LCD+HDMI dual display, multiple display modes, and can meet the requirements of various heavy industry applications. It can widely provide hardware support for the industrial control field.

Features

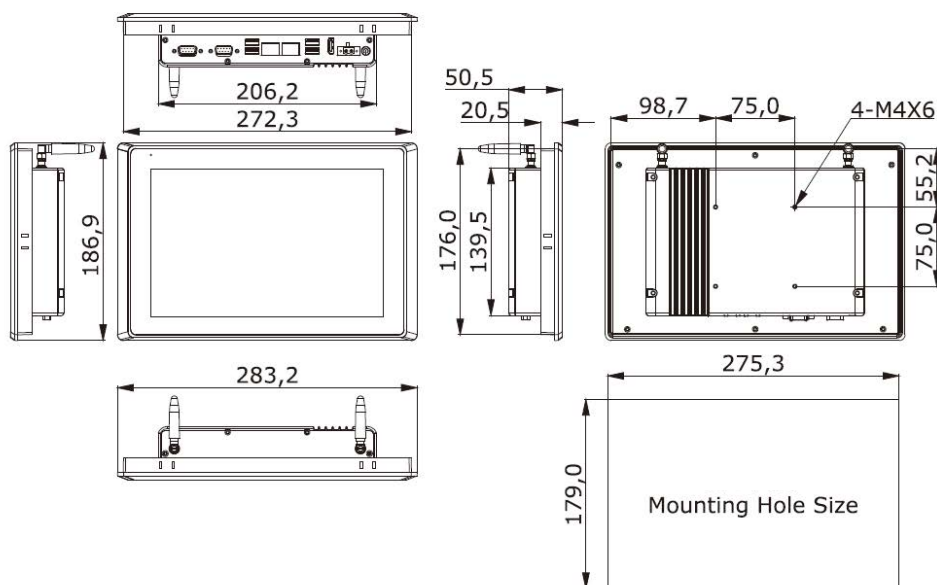
- Intel® Celeron® J1900 processor
- 1×SO DIMM memory slot, supports up to 8GB
- LCD+HDMI dual display, synchronous/asynchronous mode
- Full plane touch screen, front panel IP65 protection level
- Low power and fanless
- 9~36V wide voltage input

Properties

CPU	Intel® Celeron® J1900
Memory	1×SO-DIMM , 8GB
Storage	1×mSATA,2T 1×SATA(2.5" SATA)
Display interface	1×HDMI
GPIO	1×12 bits GPIO (6 IN 6 OUT, optional)
Audio	1×Audio Line-out
Network interface	2 x Integrated 10/100/1000M Adaption (REALTEK 8111H)
Serial port	2×DB-9 COM1&COM2, RS-232/485 2×3-wire COM3&COM4 RS-232/485 Phoenix terminal 2×3-wire COM5&COM6 RS-232 Phoenix terminal
USB	1×USB3.0, 3×USB2.0
Power supply	9V-36V DC 2 pins Phoenix terminal
Expansion	Mini-PCIe x1 full card, onboard SIM slot, supports 3G/4G module Mini-PCIe x1 semi card, supports WIFI bluetooth
Working temperature	0°C-60°C
Storage temperature	-30°C-70°C
Relative humidity	10%-90%@30°C, no condensation
Material	Aluminium
Dimension	283.2×186.9×50.5mm
Display type	10.1" TFT-LCD
Resolution	1280×800
Resolution	16.2M
Brightness	400 cd/m ²
Color gamut	-85~85° (H), -85~85° (V)
Backlight	LED
Backlight value	30,000
Touch screen type	10 points capacitive screen
Transmittance	Greater than 85%
Monitor	1~255 seconds programmable setting
System	Windows10, LINUX

Dimension

Unit: mm



Interface diagram

