



# TS5D-1500-E2/4G/W

## Fast reference manual

### 【Basic introduction】

#### <1> Software

-- Touch Win Pro software.

### 【Using method】

#### <1> Do not use under the following environment

--Wet and condensation

--Corrosive gas and dust

--Chemical and conducting liquid

#### <2> Layout

--Away from high voltage and current object

--Correct polarity and voltage of the power supply

--Correct connection of the communication cable

#### <3> Cleanness

--The product cover will be corroded by strong acid, alkali, organic solution

### 【Specification】

Input voltage: DC22-26V

Power: 13W

Voltage endurance: AC1000V-10mA 1 minute (signal and ground)

Operation temperature: 0~50°C

Storage temperature: -10~60°C

Ambient humidity: 10~90% RH (no condensation)

Anti-jamming: voltage noise 1500Vp-p, pulse width 1us for 1 minute

Protection level: the front panel complies with IP65

### 【Function】

Resolution: 1920×1080 pixels

Screen size: 15.6 inch

Display: TFT true color, 16 million colors

CPU: Cortex-A7 1.2GHz

Memory: 256MB

Picture editing: upper computer editing, easy to learn, vivid picture, supporting bmp and jpeg format

Button: touch mode

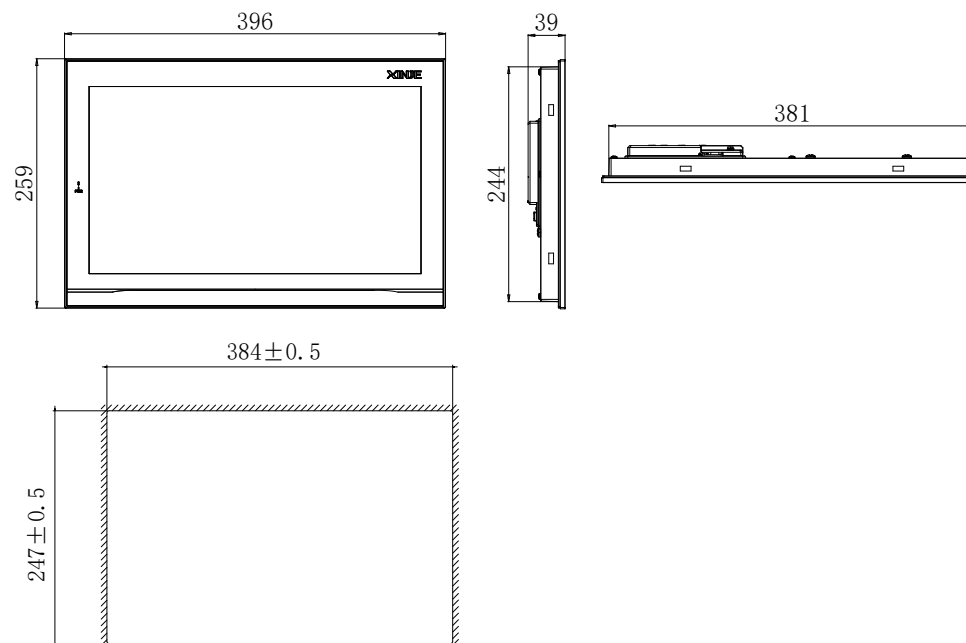
Communication: can communicate with most PLCs in the market, such as Siemens, Mitsubishi, supporting frequency inverter and meters.

COM port: USB-A\*2, COM1(RS232/485), COM2(RS232/485/422), RJ-45, 4G/WIFI (optional), Type-C download port

Special function: remote desktop, remote transparent transmission, remote download, audio output, data backup (CSV file export and import), self-defined flash, X/Y trend map.

### 【Installation】

#### <1> Dimension (unit: mm)



This mounting dimension is for your reference only.

#### <2> Fix the product

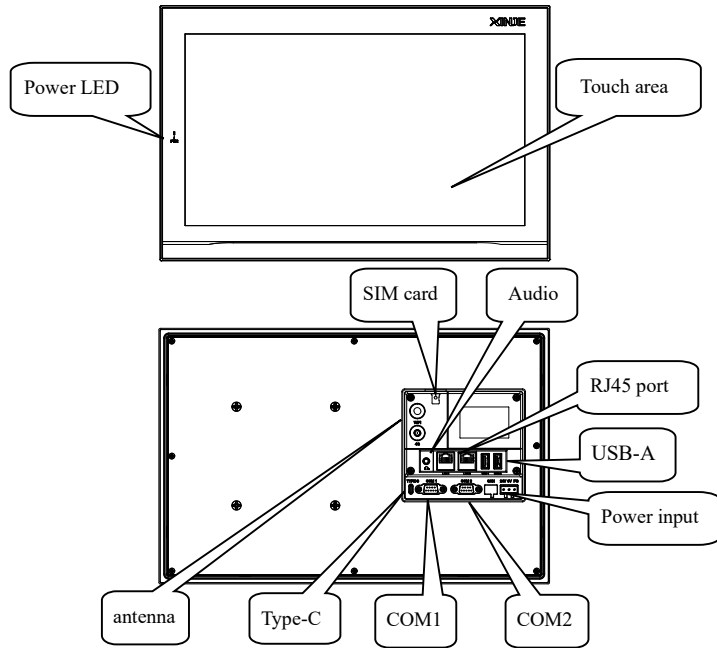
--insert the product into mounting hole.

--insert the frame into the mounting hole then tighten the screw.

**Note:** --the tighten strength should be moderate.

--the screw should be vertical with the mounting panel.

## 【Part description】



- Notes:**
- USB-A port is used to connect flash disk, export and import “csv” data.
  - RJ45 port is used to Ethernet communication.
  - Extension board is for wireless communication (4G/WIFI optional).

## 【COM port】

Pin	Name	Pin	Name
1	NC	6	NC
2	RXD	7	B
3	TXD	8	NC
4	A	9	NC
5	GND		

COM1

Pin	Name	Pin	Name
1	TD+	6	TD-
2	RXD	7	B
3	TXD	8	RDD-
4	A	9	RDD+
5	GND		

COM2


## 【Communication function】

--COM1 and COM2 have communication functions, can connect to various devices, such as PLC, inverters.

## 【Making a project】

Making a project includes the following steps:


### <1> Build a new project

Open the software, click “”, select the HMI type and PLC type.

### <2> Edit the project

Please refer to Touchwin Pro Software user manual.

### <3> Download the project

Connect the download cable correctly, click “” to finish download.

### <4> PLC communication

Connect the cable to the PLC, then it can exchange data with PLC.

**Note:** --For detailed information, please refer to the user manual.

--You can use Xinje cable or make the cable according to the cable diagram.