

# SELECTION



Based on the continuous development of technology, it is subject to change without notice. Copyright © XINJE.

**XINJE**

Wuxi Xinje Electric Co., Ltd  
Address: No. 816, Jianshe West Road, Binhu District, Wuxi  
Tel: 0510-85134136  
Email: sales@xinje.com

Selection Guide



Wuxi Xinje Electric Co., Ltd. (XINJE) is a well-known domestic enterprise focusing on the R&D and application of industrial automation products. As the core component of the automation system, the industrial controller integrates high-end control and operation control interaction to help the transformation and upgrading of traditional industries

### High-end sensing

Based on machine vision, it provides industrial customers with standard industrial automation products such as IoT industrial controller, touch control all-in-one machine, AGV special machine, 4U, visual accessories, etc., relying on strong underlying development and system integration capabilities to meet customers' various needs on mechanical equipment. Visual solutions are widely used in 3D measurement, visual detection, positioning recognition, etc.

### Artificial intelligence

With data mining, data decision-making and data driven as the core, based on convolutional neural network research and in-depth cooperation with Intel, it has built its own in-depth learning training model and server system, designed a set of in-depth learning reasoning framework model that supports multi-hardware heterogeneity, developed goals and segmentation algorithms with independent intellectual property rights, and continued to innovate closely around customer needs.

### Capacity reserve

#### Develop industry-specific algorithms with high detection accuracy and superior performance

Use the special algorithm for manufacturing industry, with high detection accuracy and excellent performance to provide professional selection scheme for intelligent manufacturing projects. Based on the actual image data, develop the learning algorithm for individual schemes, greatly improve the detection accuracy and meet the customer's on-site accuracy requirements.

#### Professional R&D and project teams Tailored solutions for you

The technical team has a solid academic background and rich engineering experience, and can provide customers with professional intelligent industrial solutions according to their requirements or product types.

### Motion control

Relying on IEC 61131-3 related technologies and products, the multi-bus IoT industry has been developed. The controller with rich network interface design, can realize industrial networked control and cluster management. The real-time environment and time-sharing system are in parallel, ensuring real-time stability while making load integration possible, realizing the integration of visual sensing and industrial control, and enabling intelligent manufacturing.

Relying on strong underlying development and system integration capabilities, closely focusing on customer needs and continue to innovate and build more flexible and intelligent solutions in the field of smart factories. After more than ten years of technical accumulation, the intelligent production line scheme has been widely used in 3C, machine assembly and processing, retail of daily necessities, auto parts testing, packaging, textile and other industries.

#### Independent and innovative software and hardware architecture guarantees the stability, speed and accuracy of the system

Based on the independently developed XBUFFER software framework, it can realize hardware heterogeneous acceleration and rely on MKL data operation acceleration. Built-in Tensorflow, Cafe and other in-depth learning frameworks, integrated with OpenGL, can achieve 3D display operation speed, with unique hardware architecture, greatly improve the stability and efficiency of the system.

# IoT CONTROLLER



Windows 10 IoT Enterprise Genuine Authorization

TEG/SP series expandable IoT industrial controller adopts Intel Apollo Lake, Intel Kaby Lake/Coffee Lake, Whiskey Lake-U series processors, which can flexibly select processor types according to actual needs, provide powerful computing performance and excellent image processing capability, and rich external interfaces can meet the maximum number of device connections, with extremely low overall power consumption. It provides the core control unit guarantee for the full solution of industrial automation and machine vision.

## TEG-N10 SERIES

### Naming rule

TEG-N10	/	J3455	/	8G	/	128G
①		②		③		④
①TEG-N10series						
②CPU type						
③Memory capacity						
④SSD capacity						

### Models

MODEL	CPU	MEM (G)	SSD (G)
TEG-N10	Intel® Celeron® J3455	4	128
	Intel® Pentium® J4205	4	128
	Intel® Pentium® J4205	8	128

## SP V200/V300 SERIES

### Naming rule

SP	-	X	P	7	2	0T	-	V310
①		②	③	④	⑤	⑥		⑦
①IoT industrial controller								
②Product labeling information								
③CPU type (N: Pentium® J4205 P:Pentium® G4560 S:Core™ i3-8100 C:Core™ i5-9400 M:Core™ i7-9700)								
④SSD capacity(SSD 2 <sup>n</sup> )								
⑤Memory capacity(MEM 2 <sup>n</sup> )								
⑥HDD capacity(HDD)								
⑦Product series								

### Models

MODELS	SERIES	CPU	MEM (G)	SSD (G)	HDD (T)
V200 SERIES	SP-XN620T-V210	Intel® Pentium® J4205	4	64	/
	SP-XN720T-V210	Intel® Pentium® J4205	4	128	/
V300 SERIES	SP-XP720T-V310	Intel® Pentium® G4560	4	128	/
	SP-XS720T-V310	Intel® Core™ i3-8100	4	128	/
	SP-XC720T-V310	Intel® Core™ i5-9400	4	128	/
	SP-XC731T-V310	Intel® Core™ i5-9400	8	128	1
	SP-XP720T-V325	Intel® Pentium® G4560	4	128	/
	SP-XS720T-V325	Intel® Core™ i3-8100	4	128	/
	SP-XC720T-V325	Intel® Core™ i5-9400	4	128	/
	SP-XC731T-V325	Intel® Core™ i5-9400	8	128	1
	SP-XP720T-V326	Intel® Pentium® G4560	4	128	/
	SP-XS720T-V326	Intel® Core™ i3-8100	4	128	/
	SP-XC720T-V326	Intel® Core™ i5-9400	4	128	/
	SP-XC731T-V326	Intel® Core™ i5-9400	8	128	1
	SP-XC730T-V327	Intel® Core™ i5-9400	8	128	/
	SP-XC840T-V327	Intel® Core™ i5-9400	16	256	/
	SP-XS720T-V335	Intel® Core™ i3-8100	4	128	/
	SP-XC720T-V335	Intel® Core™ i5-9400	4	128	/
	SP-XM720T-V335	Intel® Core™ i7-9700	4	128	/
	SP-XM731T-V335	Intel® Core™ i7-9700	8	128	1
	SP-XS720T-V336	Intel® Core™ i3-8100	4	128	/
	SP-XC720T-V336	Intel® Core™ i5-9400	4	128	/
SP-XM720T-V336	Intel® Core™ i7-9700	4	128	/	
SP-XM731T-V336	Intel® Core™ i7-9700	8	128	1	

# TEG-N10 SERIES

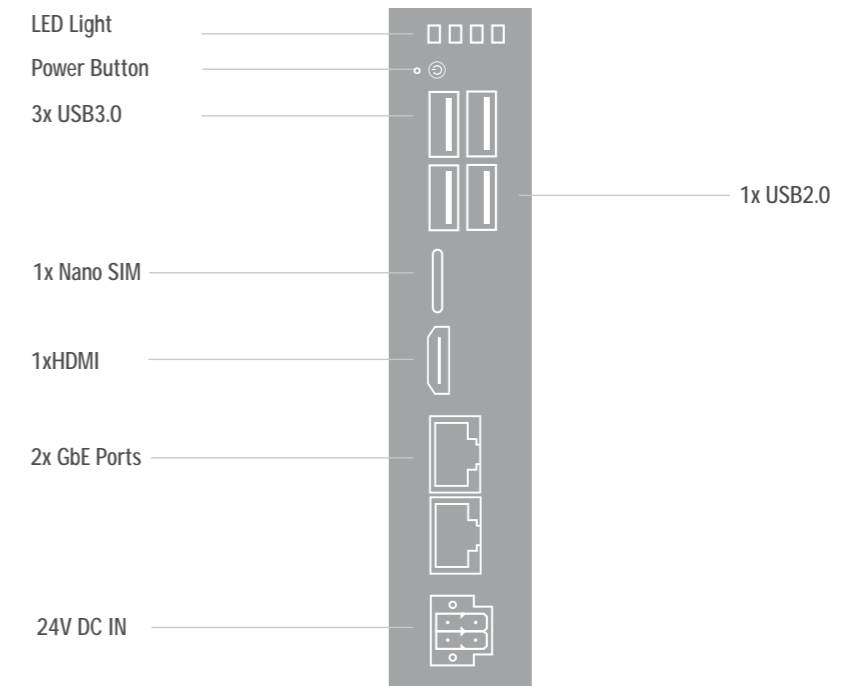
- Adopt high-performance Apollo Lake platform
- Support 4G/5GWi-Fi network/Ethernet and other multi-port connections
- Rapid cloud access of equipment and remote management of preventive maintenance
- Widely used in industrial automation, smart factories and other fields
- IP30 protection, CE/FCC certification, high anti-interference, stable and reliable



PROPERTIES	PARAMETER
CPU	Intel® Celeron® J3455 / Intel® Pentium® J4205
Chipset	Intel® SoC Integrated
BIOS	AMI8Mb UEFIBIOS
Memory	LPDDR4 4G(MAX8GB)
Display	1 x HDMI 3840 x 2160 @30Hz
TPM	TPM2.0
Storage	1 x M.2 2280(standard 128G)
I/O interface	2 x Gbe Intel I225-V(10/100/1000Mbps) 1 x RS232/422/485(BIOS control),1x RS232 3 x USB3.0、1 x USB2.0 1 x Nano SIM 1 x Power Switch 4 x LED(PWR/SATA/USER1/USER2) 1 x Reset
Expansion Slots	1 x USB2.0, built-in for softdog 1 x M.2,2242 FOR WIFI 1 x M.2,3052 FOR 4G/5G 1 x SATA3.0
Power supply	24V DC(±5%)4PIN Phoenix,(2PIN FOR Remote)
Power	20W( typical) ~ 60W(max)
System	Windows 10 IoT LTSC, Linux
Weight	0.75kg
Installation	Guide rail installation (wall-mounted optional)
Size	170x121x45mm(length x width x height)
Working temperature	0~60°C with 0.7m/s airflow
Storage temperature	-40°C ~85°C, 60°C @ 95% ( non-condensing )
Relative humidity	10 ~ 95% @ 40°C ( non-condensing )
ESD	Contact discharge±4 KV, air discharge±8 KV
Protection level	IP30
Certificate	CE,FCC

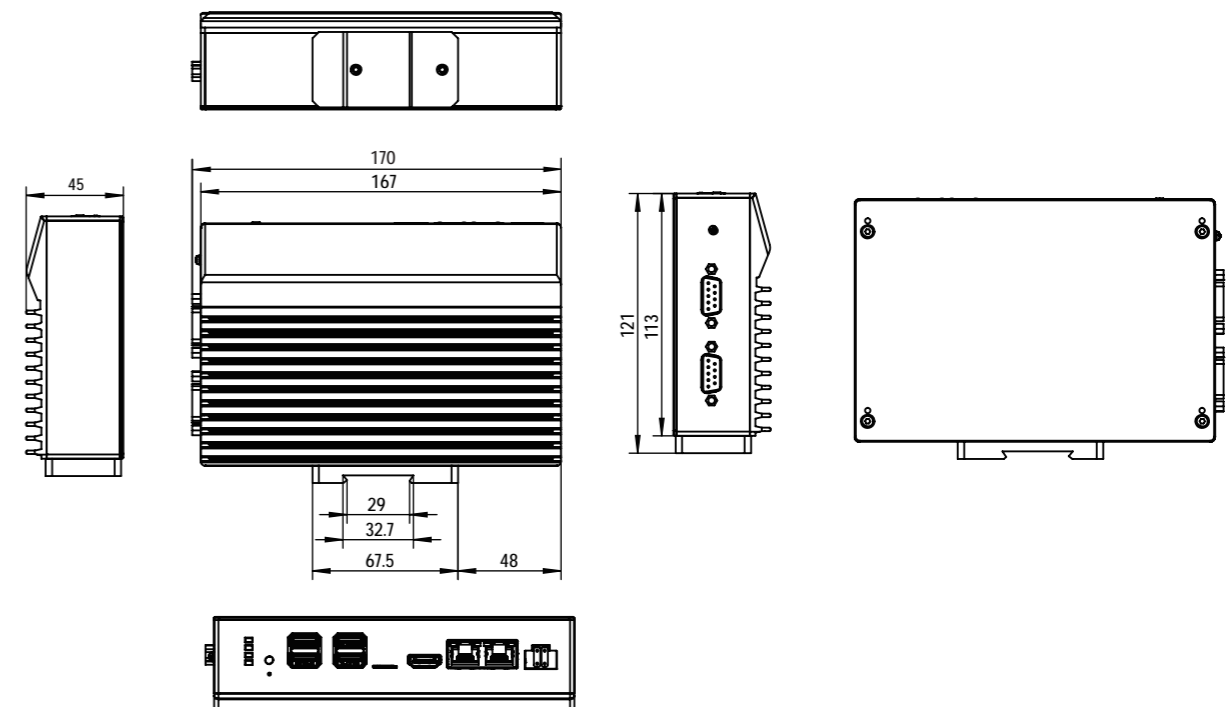
## Interface description

TEG-N10



## Dimension

TEG-N10



\*Unit: mm

# SP V200 SERIES

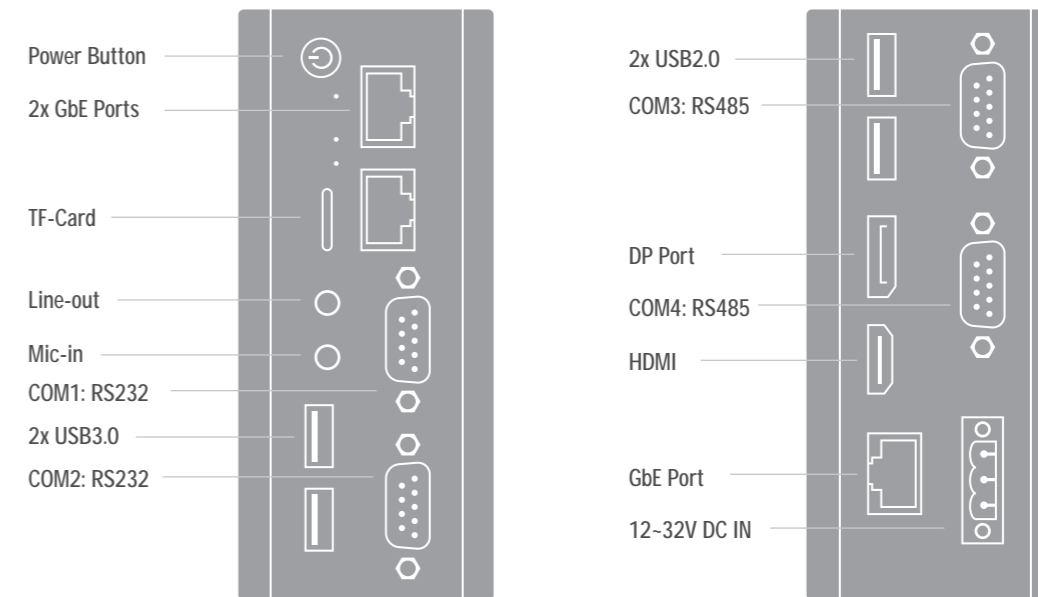
- Intel Apollo Lake series processor
- 4Krealistic graphics and media performance
- HDMI and DP ultra-high definition dual independent display
- Compact structure and flexible deployment



PROPERTIES	PARAMETER
CPU	Intel® Pentium® N4200 / J4205
BIOS	AMI 8Mb UEFIBIOS
Memory	4G DDR3L1600MHz(MAX8G)
Display	DP,max resolution4096 x 2160 @60Hz HDMI,max resolution3840 x 2160 @30Hz
Audio	Line-out·Mic-in , HD audio , RealtekALC662
Ethernet	1x RTL8111H GbE,wake on LAN 2x Intel i210/i211 GbE
I/O interface	2x USB2.0 interface , 2x USB3.0 interface 2x RS232 serial port , 2x RS485 serial port
Expansion Slots	Full-sizeMini-PCIe , supporting WLAN/WWANmodule USIM , for 3G/4G LTE communication
Storage	eMMC(MAX256GB) , M.2 SSD(2242) TFcard slot , SATA3.0 , supporting 2.5"hard disk
Power supply	12~32V DC IN
Power	24W
System	Windows 10 IoT LTSC, Linux
Installation	Aluminum alloy material, wall-mounted kit
Size	120 x 101 x 51mm(length x width x height)
Weight	0.65kg
Working temperature	-20°C~60°C , with 0.7m/s airflow
Storage temperature	-40°C~80°C
Relative humidity	95% @40°C(non-condensing)
Vibration protection	Use SSD: 3Grms , IEC60068-2-64 , random , 5~500Hz , 1hr/axis
Impact protection	Use SSD: 30 G , IEC60068-2-27 , half sine , lasting for11ms
ESD	Contact discharge ±4 KV , air discharge±8 KV
Protection level	IP30
Certificate	CE、FCC Class A、TUV

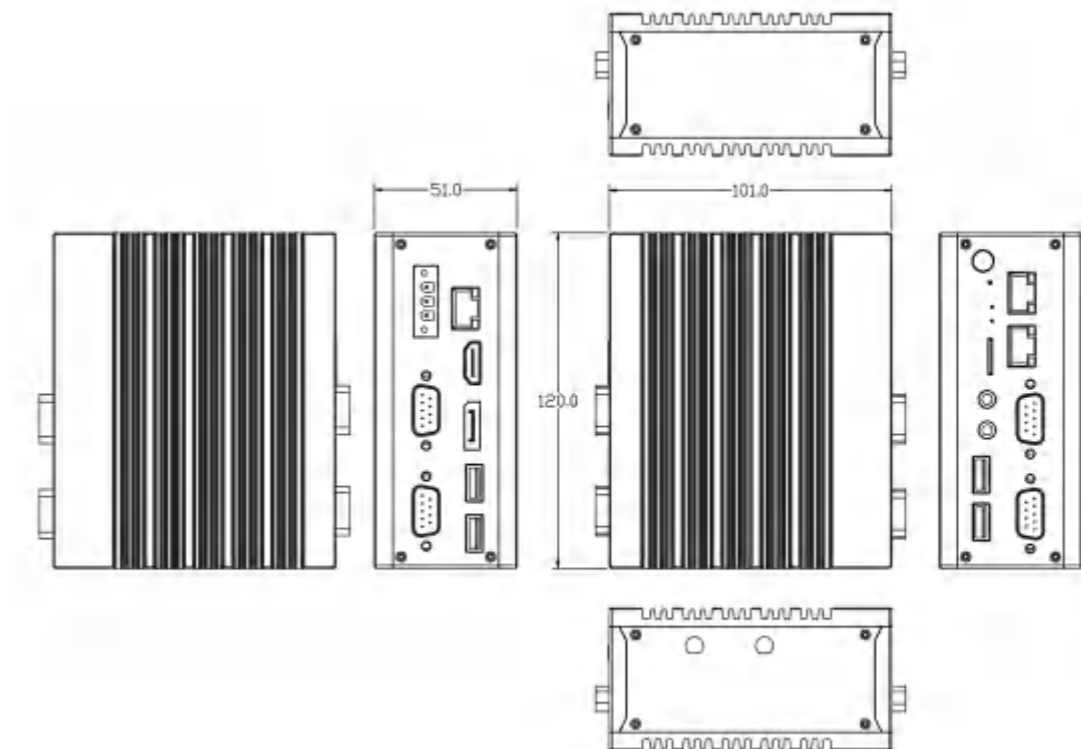
## Interface description

### SP V210



## Dimension

### SP V210



\*Unit: mm

## SP V300 SERIES

- Multi-performance Kaby Lake/Coffee Lake processor optional
- Provide multiple selection schemes for different interface requirements
- High performance, stable and efficient operation in complex scenarios
- Customizable version with fan, high heat removal efficiency

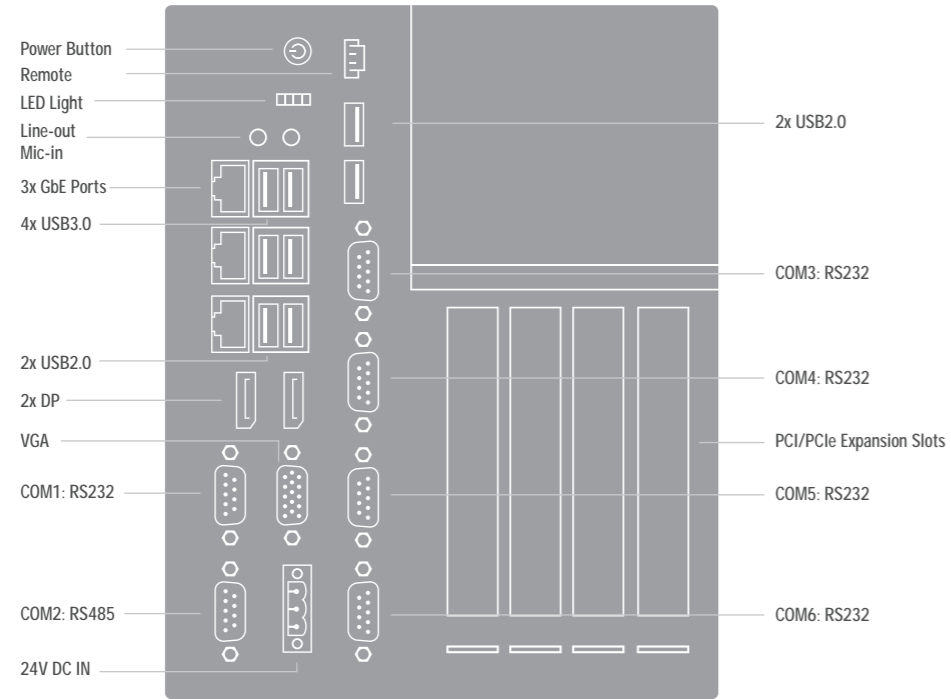


PROPERTIES	SP V310	SP V325	SP V326
CPU	Intel® Pentium® G4560 / Intel® Core™ i3-8100 / Intel® Core™ i5-9400		
Chipset	H110		
Memory	4G DDR4 SO-DIMM ,MAX32G		
Display	2x DP ,resolution up to 4096 x 2304 @60Hz 1x VGA ,resolution up to1920 x 1080 @60Hz DP+DP / DP+VGAindependent dual display		
Audio	Line-out - Mic-in,HD audio, Realtek ALC662		
Ethernet	1x Intel i219LM GbE,wake on LAN		
	2x Intel i211AT GbE		5x Intel i211AT GbE
USB port	4x USB3.0、2x USB2.0	4x USB3.0、4x USB2.0、1x built-inUSB2.0 TYPE A	
Serial port	1x RS232、1x RS485	5x RS232、1x RS485	2x RS232、2x RS485
Remote switch	4-pin connector supporting remote power switch and indicator		
Expansion slots	1x full-size Mini-PCIe , supporting WLAN/WWAN module 1x USIM , for 3G/4G LTE communication		
Storage	1x SATA3.0 , support2.5"hard disk 1x mSATA(compatible mini-PCIe)		
Power supply	24V DC IN 3PIN Phoenix		
Power	120W		
System	Windows 10 IoT LTSC, Linux		
Installation	Wall-mounted kit (optional) installation		
Size	220 x 226 x 66mm (length x width x height)	220 x 226 x 75mm (length x width x height)	
Weight	3.0kg	3.4kg	
Working temperature	0°C~50°Cwith0.7m/s airflow		
Storage temperature	-40°C~80°C		
Relative humidity	95% @40°C(non-condensing)		
ESD	Contact discharge ±4 KV, air discharge ±8 KV		
Protection level	IP30		
Certificate	CE、FCC Class A、TUV		

PROPERTIES	SP V327	SP V335	SP V336
CPU	Intel® Pentium® G4560 / Intel® Core™ i3-8100 / Intel® Core™ i5-9400 / Intel® Core™ i7-9700		
Chipset	H110		
Memory	4G DDR4 SO-DIMM ,MAX32G		
Display	2x DP ,resolution up to 4096 x 2304 @60Hz 1x VGA ,resolution up to1920 x 1080 @60Hz DP+DP / DP+VGAindependent dual display		
Audio	Line-out - Mic-in,HD audio, Realtek ALC662		
Ethernet	1x Intel i219LM GbE, wake on LAN		
	5x Intel i211AT GbE	2x Intel i211AT GbE	5x Intel i211AT Gb
USBport	4x USB3.0、2x USB2.0、1x built-in USB2.0 TYPE A	4x USB3.0、4x USB2.0、1x built-in USB2.0 TYPE A	
Serial port	1x RS232、1x RS485	5x RS232、1x RS485	2x RS232、2x RS485
Digital I/O	16xDI 16xDO		
Remote switch	2-pin connector supporting remote power switch and indicator	4-pin connector supporting remote power switch and indicator	
Expansion slots	1x full-size Mini-PCIe , supporting WLAN/WWAN module 1x USIM , for 3G/4G LTE communication	1x full-size Mini-PCIe , supporting WLAN/WWAN module 1x USIM , for3G/4G LTE communication 2x PCI, PCIe3.0(16x), PCIe2.0(2x)	
Storage	1x SATA3.0 , support 2.5" disk 1x M.2 2280	3x SATA3.0 , support 2.5' disk	
Power supply	24V DC IN 3PIN Phoenix		
Power	120W		
System	Windows 10 IoT LTSC, Linux		
Installation	Wall-mounted kit (optional) installation		
Size	220 x 226 x 75mm (length x width x height)	220 x 226 x 176mm (length x width x height)	
Weight	3.4kg	4kg	
Working temperature	0°C~50°C with 0.7m/s airflow		
Storage temperature	-40°C~80°C		
Relative humidity	95% @40°C(non-condensing)		
ESD	Contact discharge ±4 KV, air discharge ±8 KV		
Protection level	IP30		
Certificate	CE、FCC Class A、TUV		

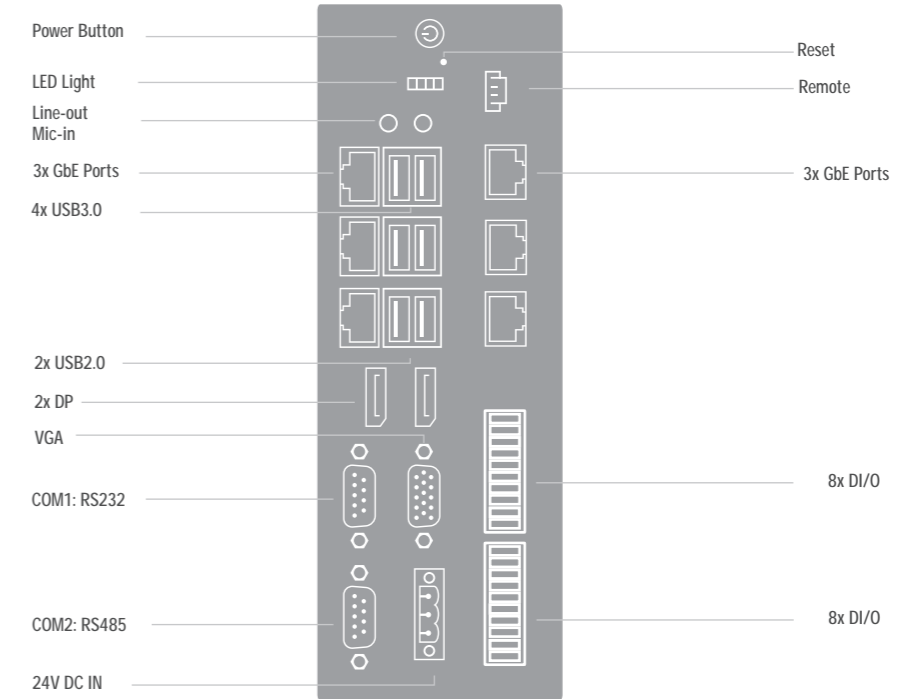
# Interface description

## SP V335

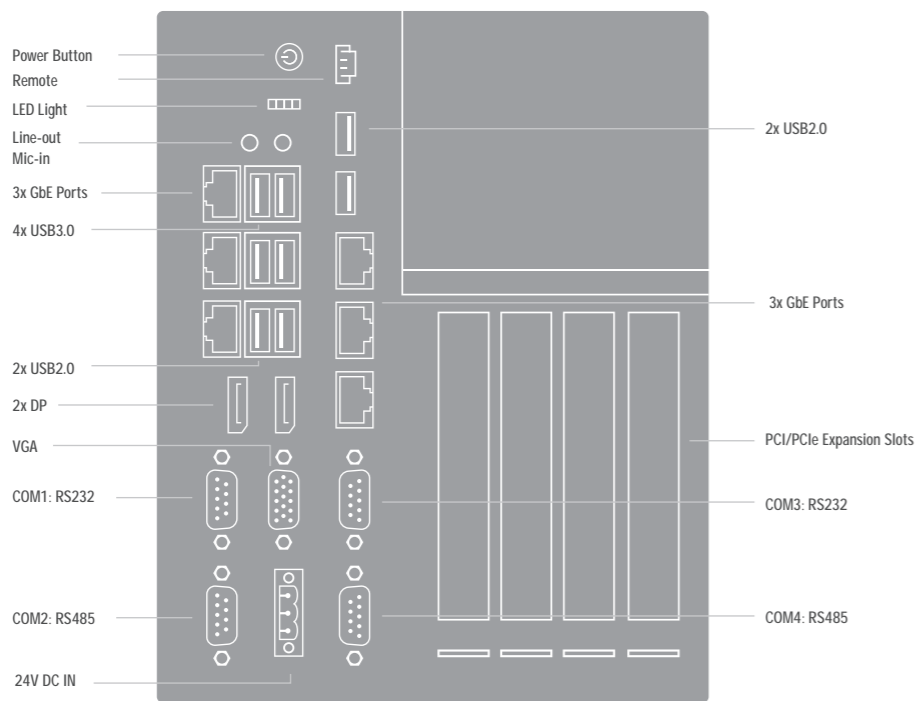


\*Refer to this figure for interface description of SP V310/SP V325.

## SP V327



## SP V336

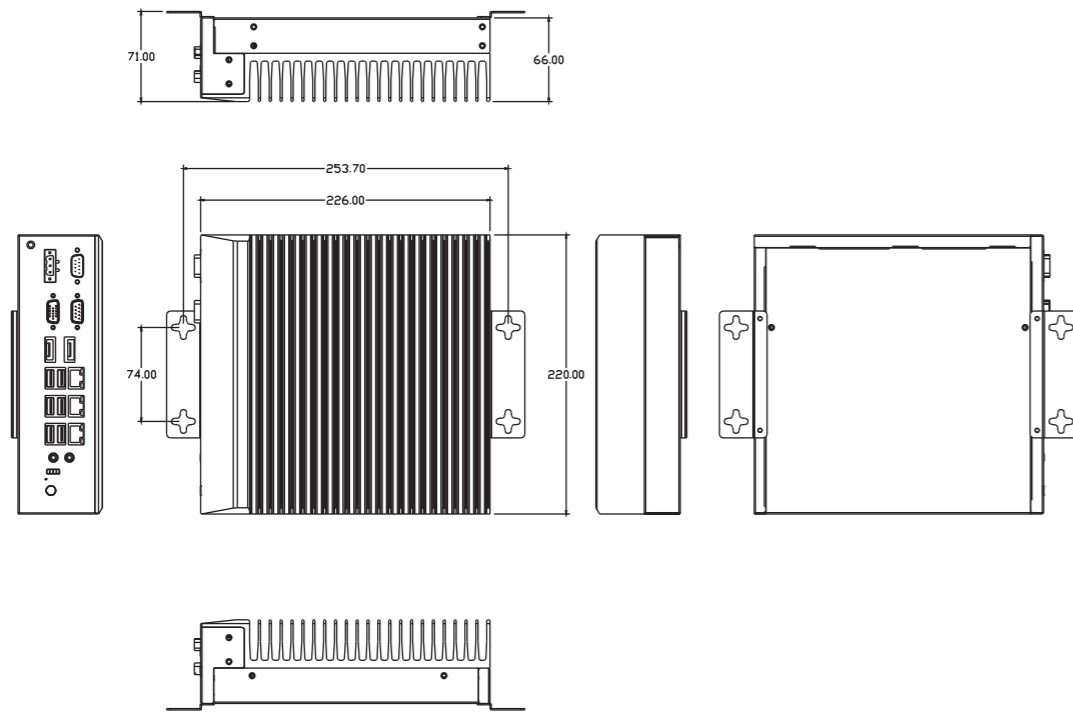


\*Refer to this figure for interface description of SP V326.

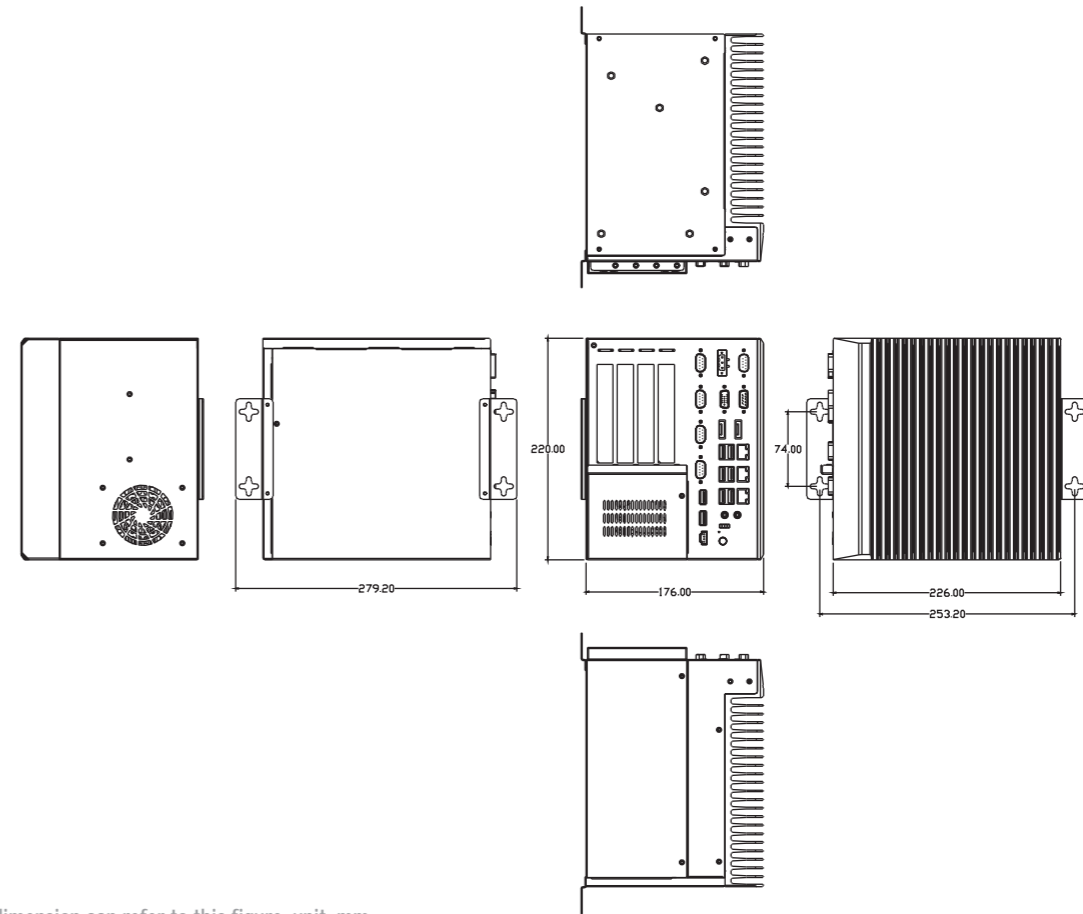


# Dimension

## SP V310

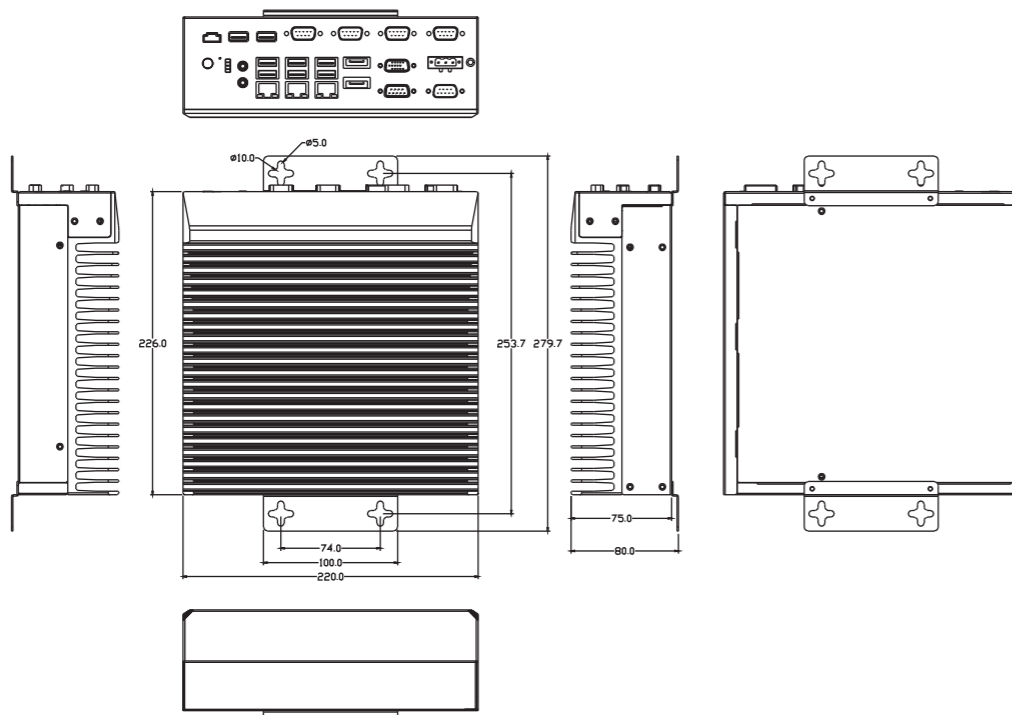


## SP V335



\*SP V336 dimension can refer to this figure, unit: mm.

## SP V325



\*SP V326/V327 dimension can refer to this figure, unit: mm.

# IoT TOUCH CONTROLLER



SPT P100 series compact embedded industrial touch all-in-one computer with Intel Apollo Lake/Wiskey lake-U series multi-core processor. 10.1"/12.1"/15.6"/21.5" industrial-grade bright TFT LCD is adopted, supporting 10-wire capacitive multi-touch. The front of the machine has strong waterproof and anti-interference ability, and is suitable for visual inspection industries such as CNC machinery, 3C, CNC processing, packaging, inspection, etc.

## Naming rule

SPT	-	X	N	7	2	0T	12	-	P110
①		②	③	④	⑤	⑥	⑦		⑧
① Touch all-in-one machine									
② Product labeling information									
③ CPU type									
④ SSD capacity (SSD 2 <sup>nd</sup> )									
⑤ MEM capacity (MEM 2 <sup>nd</sup> )									
⑥ HDD capacity									
⑦ Screen size									
⑧ Product series									

## Model list

MODEL	CPU	MEM (G)	SSD (G)	HDD (T)	SCREEN SIZE
SPT-XN720T10-P110	Intel® Pentium® J4205	4	128	0	10.1
SPT-XJ720T12-P110	Intel® Celeron® J3455	4	128	0	12.1
SPT-XN720T12-P110	Intel® Pentium® J4205	4	128	0	12.1
SPT-XS720T12-P130	Intel® Core™ i3-8145U	4	128	0	12.1
SPT-XL720T15-P130	Intel® Celeron® 4205U	4	128	0	15.6
SPT-XS720T15-P130	Intel® Core® i3-8145U	4	128	0	15.6
SPT-XC730T15-P130	Intel® Core™ i5-8265U	8	128	0	15.6
SPT-XC830T15-P130	Intel® Core™ i5-8265U	8	256	0	15.6
SPT-XC830T21-P130	Intel® Core™ i5-8265U	8	256	0	21.5

PROPERTIES	10.1" (P110)
CPU	Intel® Celeron® J3455 Intel® Pentium® J4205
Chipset	Intel® SOC integrated
BIOS	AMI
Memory	4G LPDDR4 2400MHz(MAX8G)
Storage	1 x M.2(standard 128G optional)
External I/O	2 x Intel I211-AT GbE 1 x RS232/485(BIOS control) 2 x USB2.0、2 x USB3.0 1 x DP 1 x Reset
Internal I/O	1 x M.2 , supporting WLAN/WWAN module ; 1 x USIM, for 4G/5G LTE communication
Display type	TFT LCD(LED backlight)
Resolution	1200 x 800
Touch type	10-wire capacitive multi-touch screen
Transmittance	90 % ± 3 %
Interface type	USB
LED indicator	4 x LED(PWR/SATA/RUN/ERR)
Power supply	24V DC IN 4PIN Phoenix
Power	20W-60W
System	Windows 10 IoT LTSC, Linux
Size	Whole size 265mm x 185mm x 51.8mm Opening size 251mm x 171mm
Weight	1.80kg
Working temperature	0°C-50°C with 0.7m/s airflow
Storage temperature	-20°C-60°C(non-condensing)
Relative humidity	10-95%@40°C(non-condensing)
Front cover protection level	IP65
Certificate	CE,FCC

## SPT P100 SERIES

- Intel Apollo Lake/Whiskey Lake-U, multi-core high-performance
- 10-wire capacitive multi-touch screen
- TPM2.0 encryption protection
- Support SCADA software and realize intelligent interaction

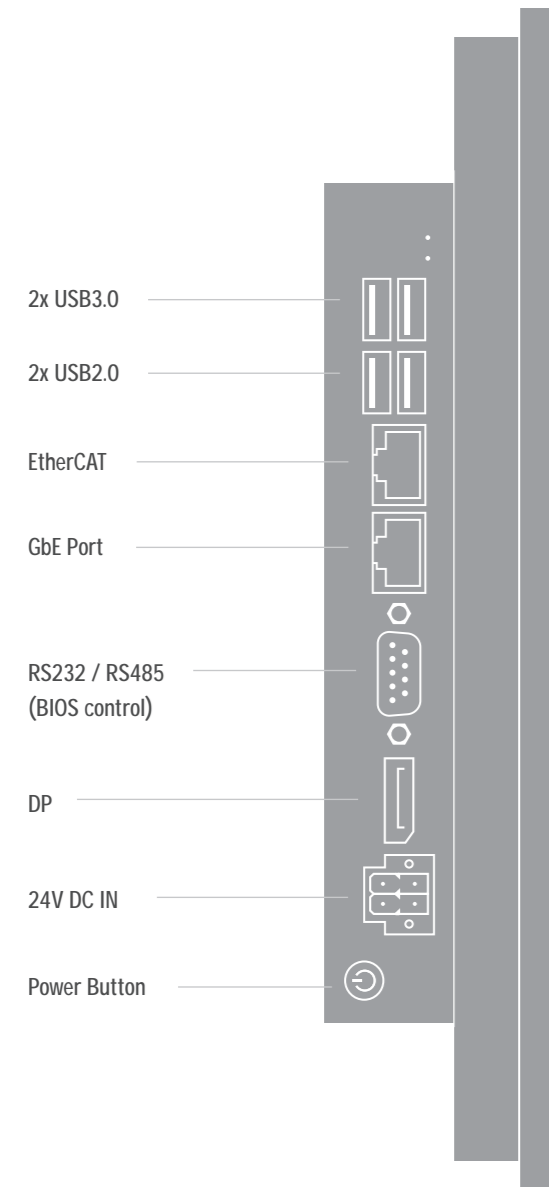


PROPERTIES	12.1" (P110)	12.1" (P130)
CPU	Intel® Celeron® J3455 Intel® Pentium® J4205	Intel® Celeron® 4205U Intel® Core™ i3-8145U/8145UE Intel® Core™ i5-8265U
Chipset	Intel® SOC integrated	Intel® WHL-U
BIOS	AMI	
Memory	4G LPDDR4 2400MHz(MAX 8G)	4G DDR4 2666MHz(MAX32G)
Storage	1 x M.2(standard 128G optional)	
External I/O	2 x Intel I211-AT GbE 1 x RS232/485(BIOS control) 2 x USB2.0、2 x USB3.0 1 x DP 1 x Reset	4 x Intel I225-V 1xRS232,1xRS232/485(BIOS control) 4 x USB3.0 1 x DVI-I 1 x Reset
Internal I/O	1 x M.2 , support WLAN/WWAN module ; 1 x USIM , for 4G/5G LTE communication	1 x M.2 , support WLAN/WWAN module ; 1 x M.2 , for4G/5G LTE communication ;
Display type	TFT LCD (LED backlight)	
Resolution	1200 x 800	
Touch type	10-wire capacitive multi-touch screen	
Transmittance	90 %±3 %	
Touch screen Interface type	USB	
LED indicator	4 x LED(PWR/SATA/RUN/ERR)	4 x LED(LAN/PWR/USER1/USER2)
Power supply	24V DC IN 4PIN Phoenix	
Power	20W~60W	
System	Windows 10 IoT LTSC, Linux	
Size	Whole size 320mm x 219mm x 50.8mm Opening size311mm x 210mm	
Weight	2.80kg	
Working temperature	0°C~50°C with0.7m/s airflow	
Storage temperature	-20°C~60°C(non-condensing)	
Relative humidity	10~95%@40°C(non-condensing)	
Front cover protection level	IP65	
Certificate	CE,FCC	

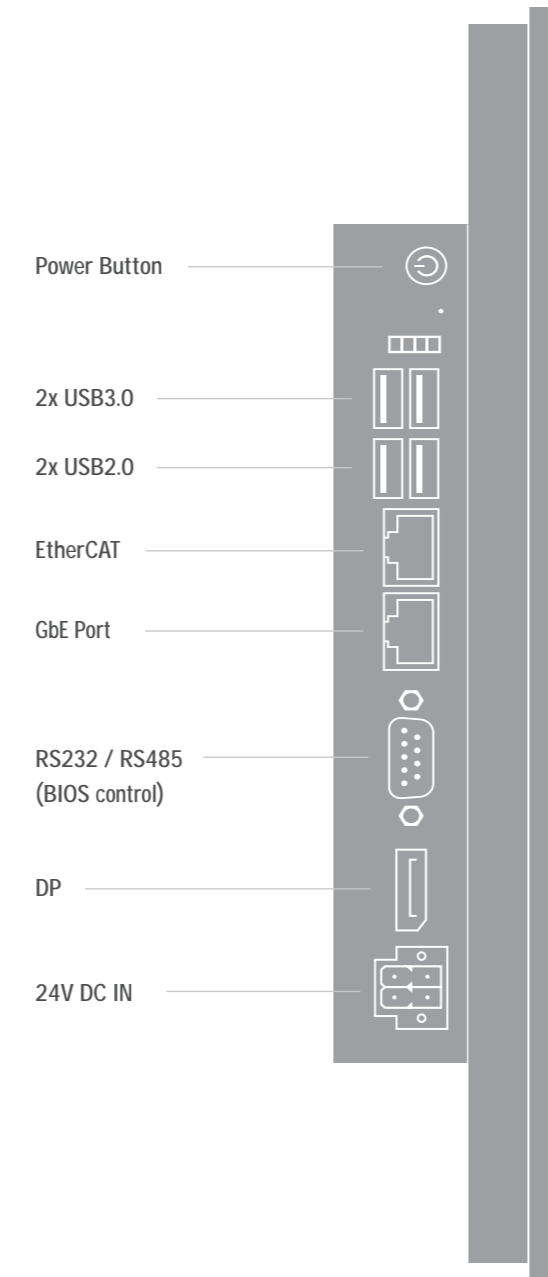
PROPERTIES	15.6" (P130)	21.5" (P130)
CPU	Intel® Celeron® 4205U Intel® Core™ i3-8145U/8145UE Intel® Core™ i5-8265U	
Chipset	Intel® WHL-U	
BIOS	AMI	
Memory	4G DDR4 2666MHz(MAX32G)	
Storage	1 x M.2(standard 128G optional)	
External I/O	4 x Intel I225-V 1 x RS232 , 1xRS232/485(BIOS control) 4 x USB3.0 1 x DVI-I 1 x Reset	
Internal I/O	1 x M.2 , supportWLAN/WWAN module ; 1 x M.2 , for4G/5G LTE communication ;	
Display type	TFT LCD (LED backlight)	
Resolution	1366 x 768 (1920x1080 optional)	1920x1080
Touch type	10-wire capacitive multi-touch screen	
Transmittance	90 %±3 %	
Touch screen interface type	USB	
LED indicator	4 x LED(LAN/PWR/USER1/USER2)	
Power supply	24V DC IN 4PIN Phoenix	
Power	20W~60W	
System	Windows 10 IoT LTSC, Linux	
Size	Whole size 390mm x 245mm x 51mm Opening size 381mm x 236mm	Whole size 528mm x 322.5mm x52.8mm Opening size517mm x 311mm
Weight	3.53kg	6.30kg
Working temperature	0°C~50°C with0.7m/s airflow	
Storage temperature	-20°C~60°C(non-condensing)	
Relative humidity	10~95%@40°C(non-condensing)	
Front cover protection level	IP65	
Certificate	CE,FCC	

# Interface description

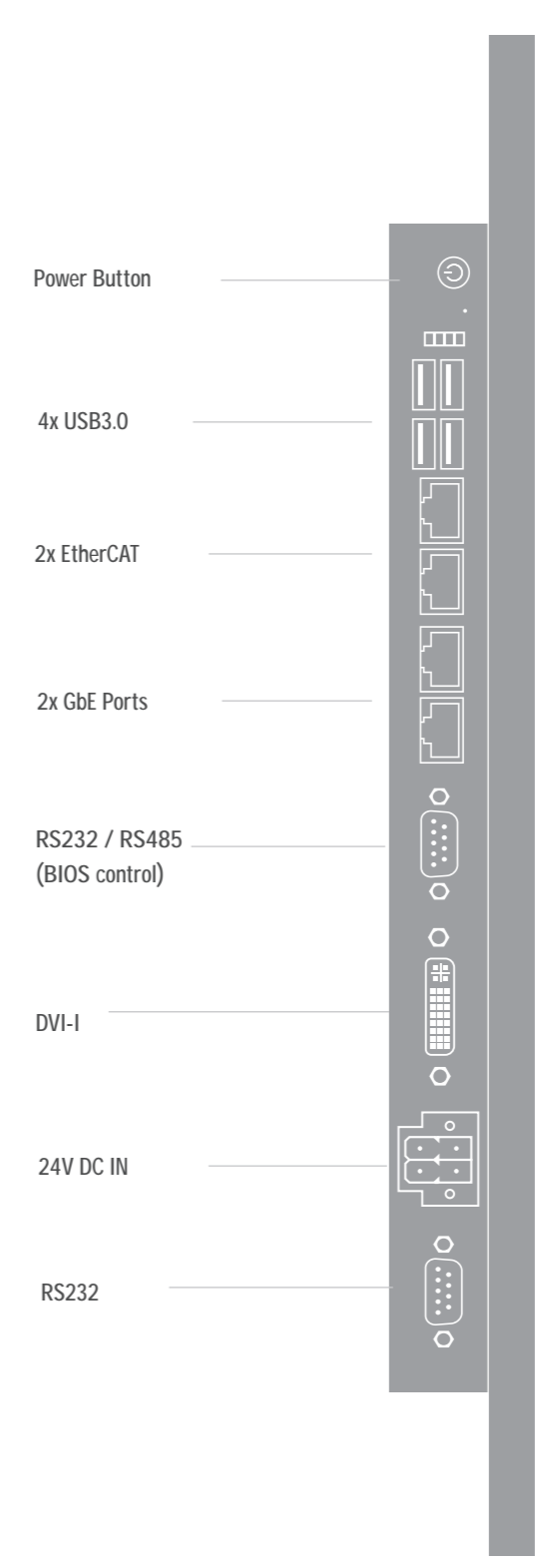
10.1" (P110)



12.1" (P110)

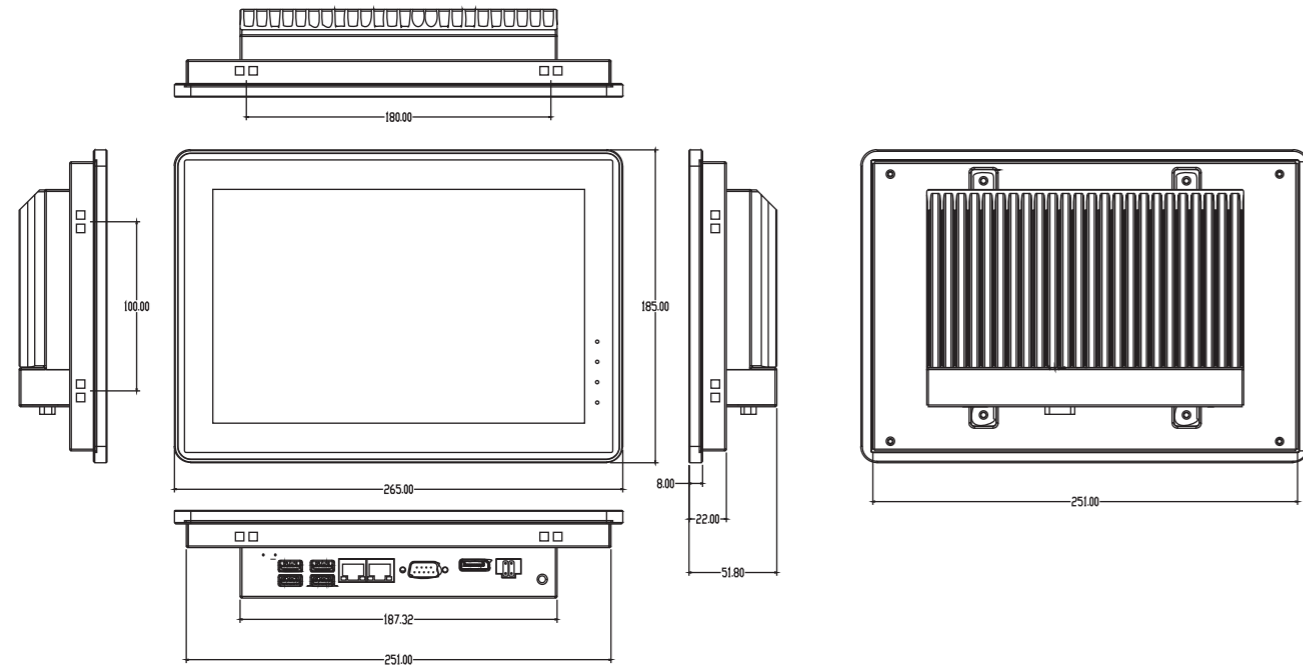


12.1"/15.6"/21.5" (P130)

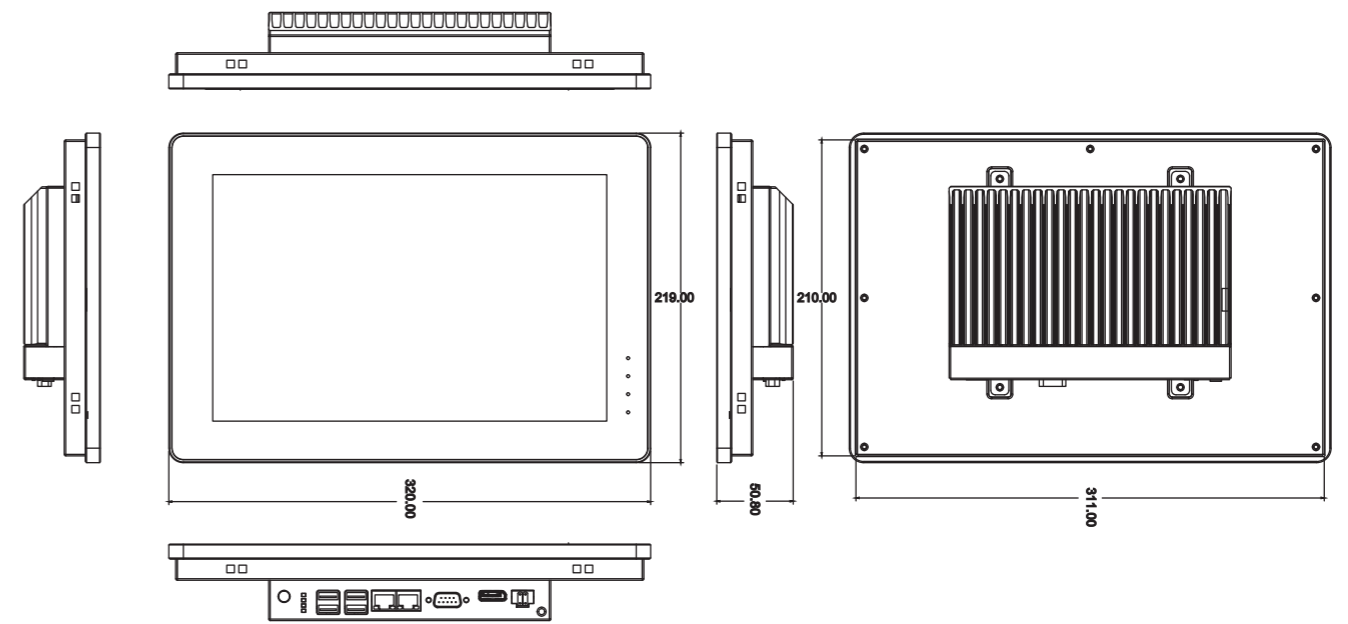


# Dimension

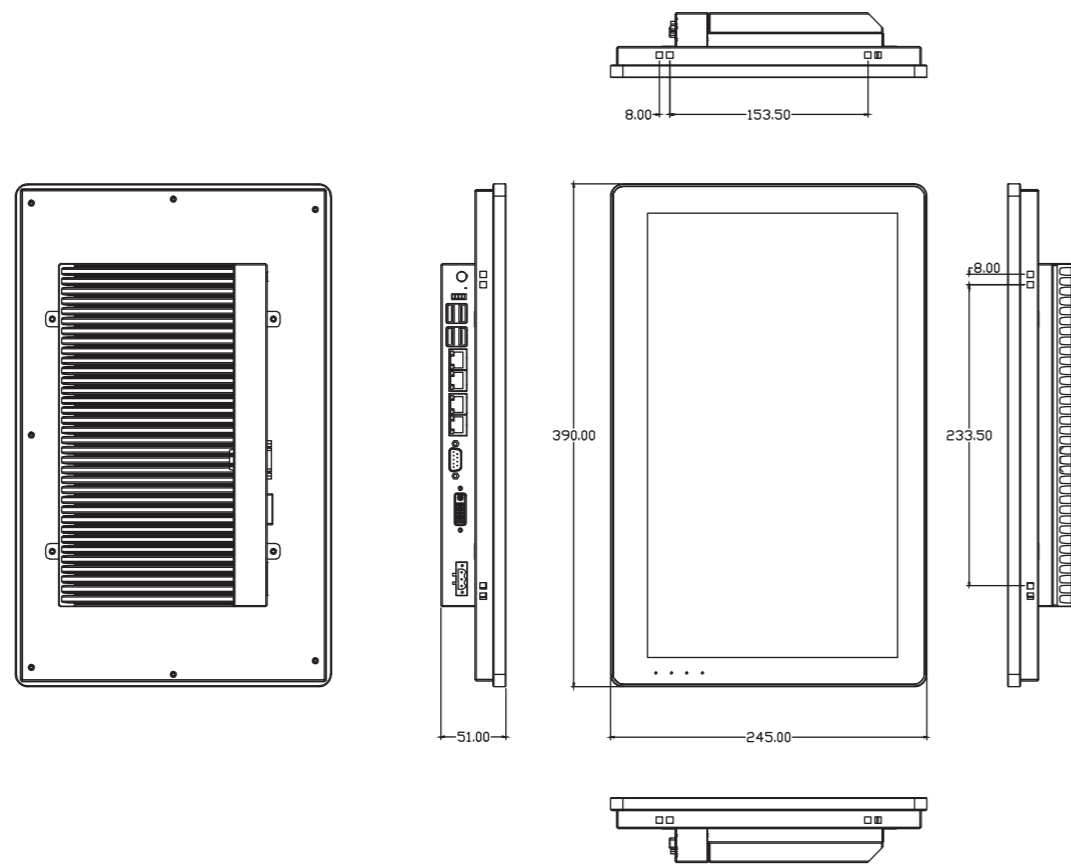
10.1"



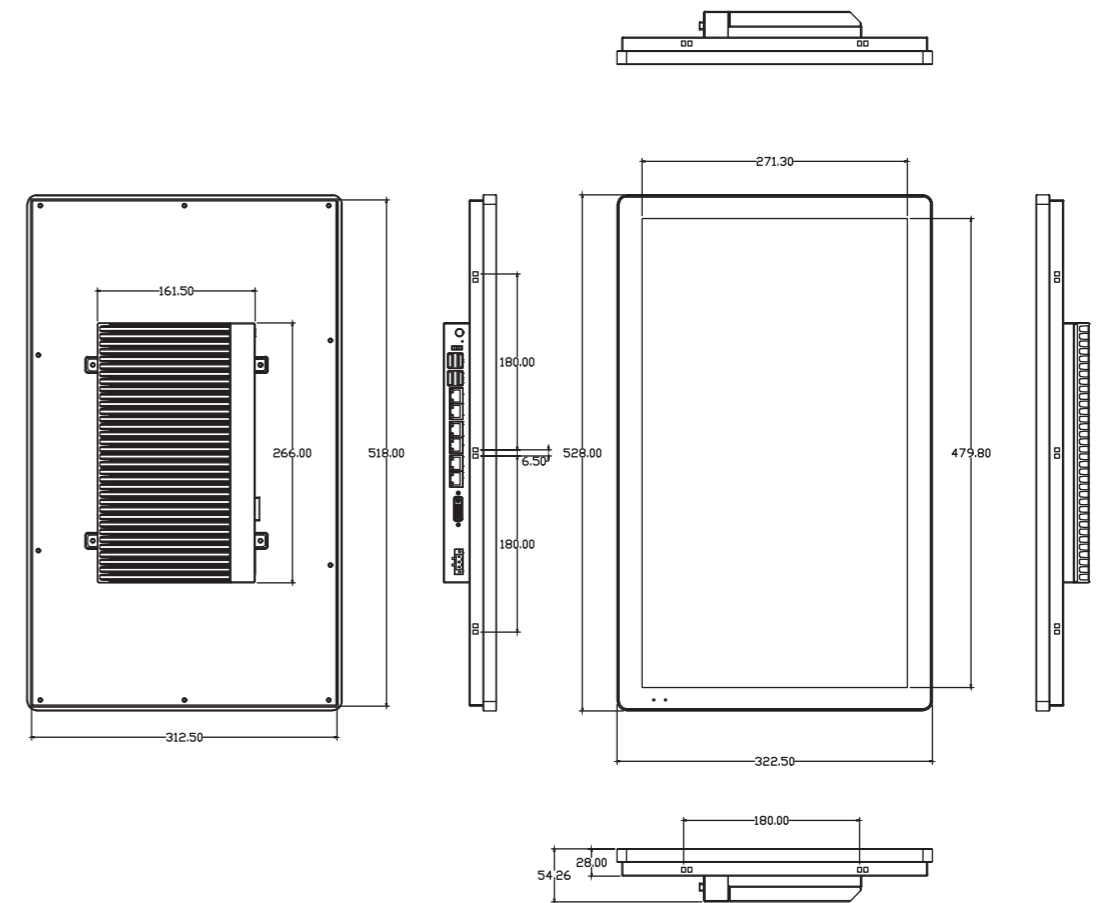
12.1"



15.6"



21.5"



\*Unit: mm

\*Unit: mm

# AGV SPECIAL CONTROLLER



Windows 10 IoT Enterprise Genuine authorization

AGV IoT industrial controller is specially designed for AGV guided car, with WiskeyLake-U series processor. The high-speed CAN interface realizes the fast interaction of the information such as torque, resolution, steering activity and the control unit to ensure the smooth steering action. Multi-channel input and output interfaces realize high-speed signal transmission and provide customers with integrated and intelligent system solutions.

## Naming rule

TSC-AGV10 / i5-8265U / 8G / 128G			
①	②	③	④
①AGV10 series			
②CPU type			
③Memory capacity(MEM)			
④SSD capacity(SSD)			

## Model list

Model	CPU	MEM (G)	SSD (G)
TSC-AGV10	Intel® Celeron® 4205U	8G	128G
	Intel® Core™ i3-8145U	8G	128G
	Intel® Core™ i5-8265U	8G	128G

\*Configuration can be selected as required.

## TSC-AGV10 SERIES

- Intel WhiskeyLake-U platform, multi-core and high-performance
- Rich external interfaces, 4-channel Gigabit Ethernet, 16-channel input and output
- 2-channel high-speed CAN, supporting CAN2.0A and CAN2.0B protocols
- Built-in super capacitor, stronger anti-vibration performance, ensuring data and system safety

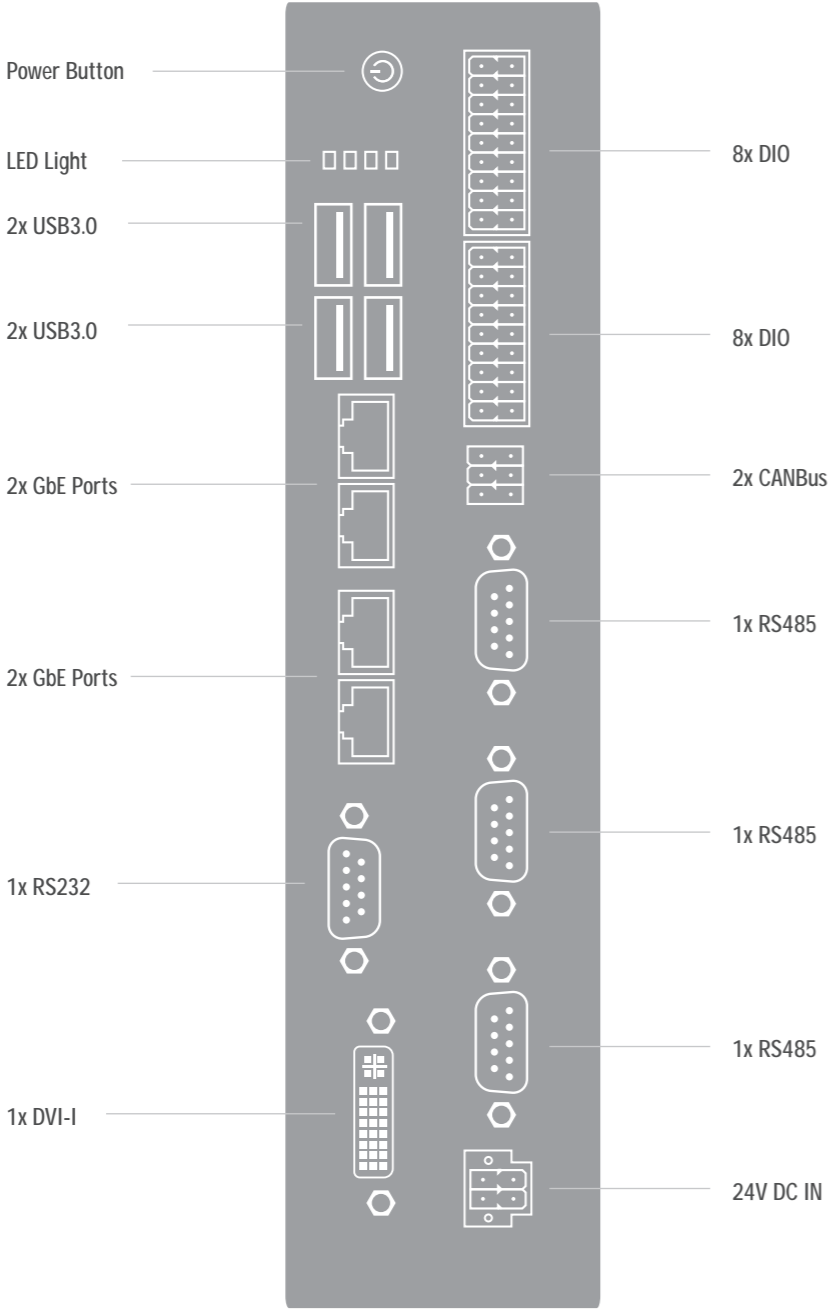


PROPERTIES	PARAMETER
CPU	Intel® Celeron® 4205U/Intel® Core™ i3-8145U/Intel® Core™ i5-8265U
Chipset	Intel® WHL-U
BIOS	AMI
Memory	DDR4 2400MHz(MAX32G)
Storage	1x M.2 2280(STANDARD128G); 1x EMM Optional
I/O interface	4x Intel I211-AT(10/100/1000Mbps, Ethernet) 4x USB3.0 1x RS232, 3x RS485 IO:GPIO optocoupler isolation,16 inputs (NPN/PNP) . 16 outputs (NPN) 4x LED(DG\STANDBY\SATA\WD) 1x Reset 2x CANBus2.0 A/B
Expansion	1x USB2.0,built-in for softdog 2x SATA,up to 6Gb/s 1x M.2,2280 SSD or 3042 4G LTE communication 1x M.2,2230 support WLAN/WWAN module
Display	DVI-I, resolution up to1920x1200 @60Hz
Power supply	24V DC 4PIN Phoenix,(2PIN for Remote) ACPI mangement
UPS	built-in super capacitor(4x300F)
Power	20W(typical) - 60W(max)
System	Windows 10 IoT LTSC, Linux
Size	236 x 165 x 65.5mm(length x width x height)
Weight	2.0kg
Working temperature	0°C~60°C with 0.7m/s airflow
Storage temperature	-40°C ~85°C, 60°C @ 95%(non-condensing)
Relative humidity	10~95%@40°C(non-condensing)
Protection level	IP30
Certificate	CE,FCC



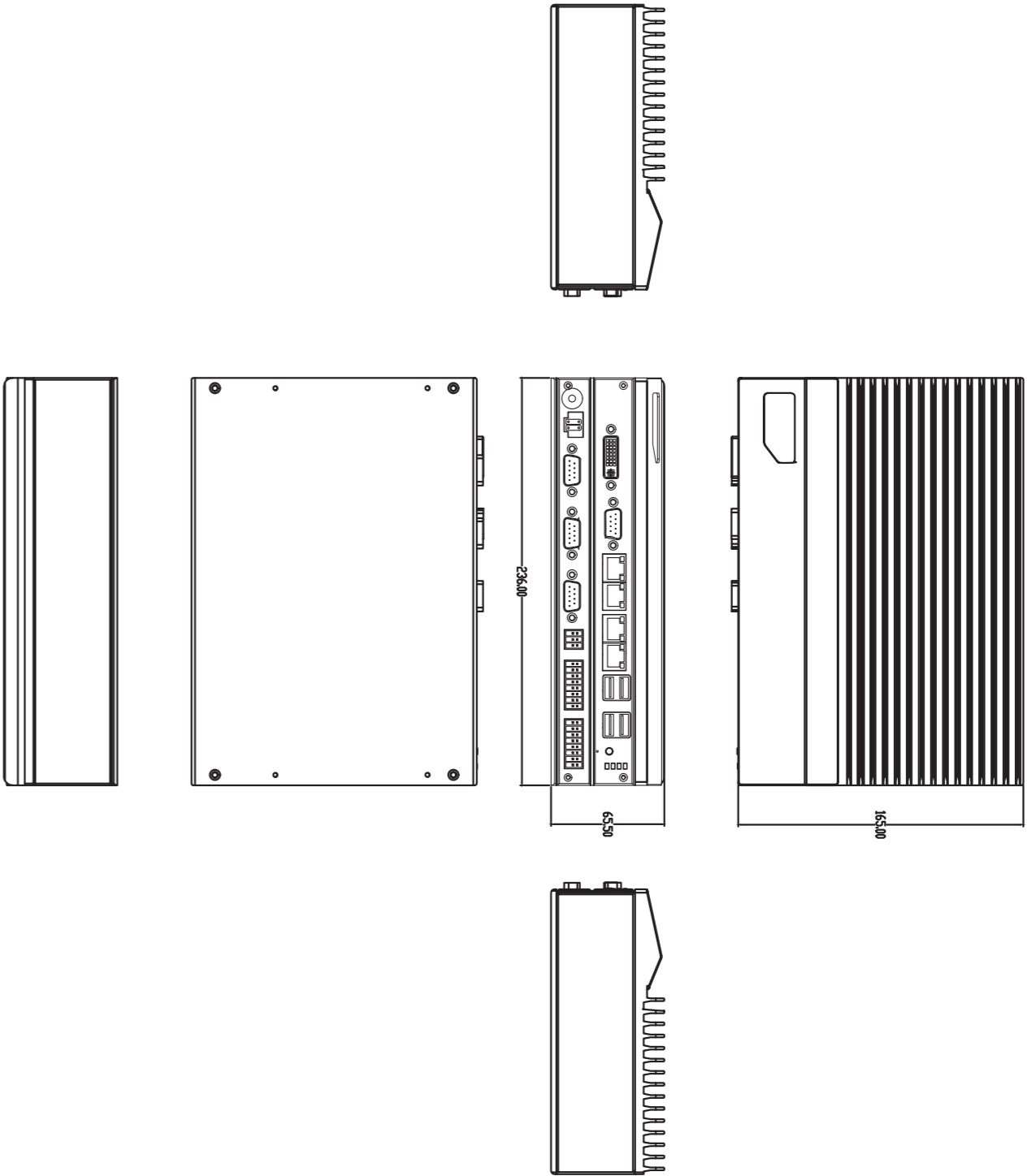
# Interface description

TSC-AGV10



# Dimension

TSC-AGV10



\*Unit: mm

# 4U INDUSTRIAL COMPUTER



Windows 10 IoT Enterprise Genuine authorization

The T4U-B series industrial computer adopts Intel Kaby/Coffee/Sky Lake processor, and the chassis is a standard 4U rack-mounted industrial chassis, which is formed by high-quality steel plate mold, which has ultra-high stability and scalability. The T4U-B series has strong industrial computing performance and image processing performance.

It can be widely used in industrial automation, machine vision, power and other industrial scenarios.

## Naming rule

T4U-B10 / H170 / i5-6500 / 4G / 128G / 1T					
①	②	③	④	⑤	⑥
①T4U-B10 series					
②MOBO					
③CPU type					
④Memory capacity (MEM)					
⑤SSD capacity (SSD)					
⑥HDD capacity (HDD)					

## Model list

MODEL	MOBO	CPU	MEM (G)	SSD (G)	HDD (T)
T4U-B10	H310C	Intel® Core™ i5-6500/9400	4G/8G/16G/32G	128G/256G/512G/1T (mSATA)	1T/2T/4T
		Intel® Core™ i7-6700/7700/9700			
	Q170	Intel® Core™ i5-6500/9400	4G/8G/16G/32G/64G		
		Intel® Core™ i7-6700/7700/9700			
Q470	Intel® Core™ i5-10500	4G/8G/16G/32G/64G/128G			
	Intel® Core™ i7-10700				
Q670	Intel® Core™ i3-12100	4G/8G/16G/32G/64G/128G	128G/256G/512G/1T (M.2)		
	Intel® Core™ i5-12400				
	Intel® Core™ i7-12700				

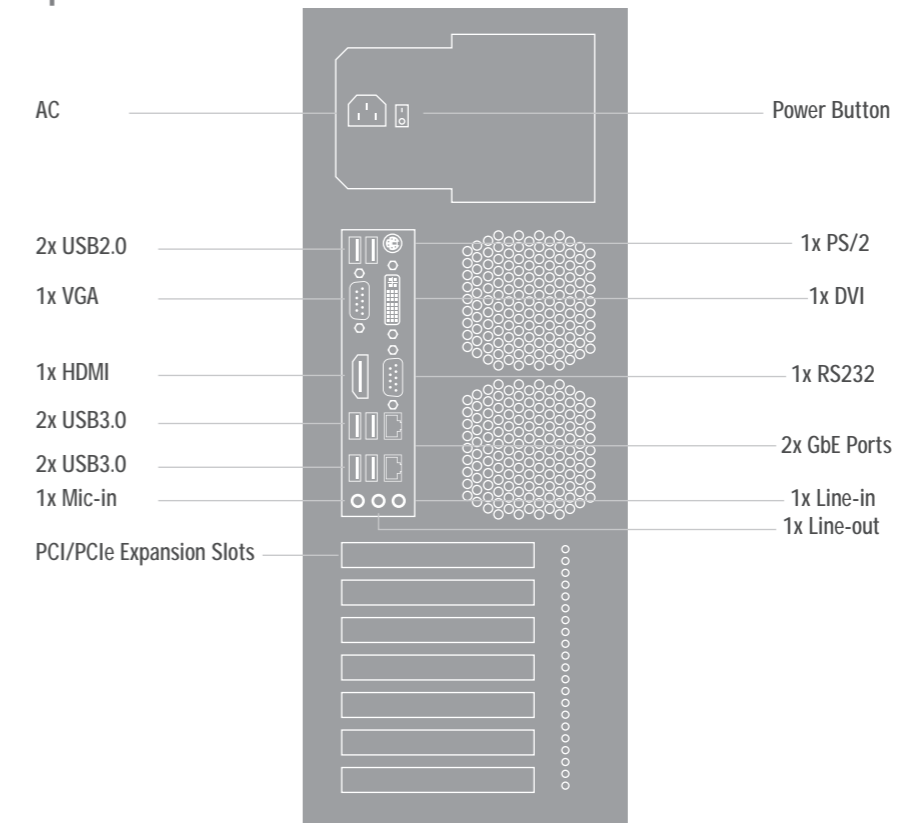
\*Configuration can be selected as required.

PROPERTIES	T4U-B10/H310C	T4U-B10/Q170
CPU	Intel® 6/7/8/9th Gen Core™/Pentium® / Celeron® Desktop CPU	
Chipset	H310	Q170
BIOS	AMI UEFI BIOS	AMI UEFI BIOS(Support Watchdog Timer)
Memory	DDR4 U-DIMM ,2400MHz(MAX 32G)	DDR4 U-DIMM, 2133/2400MHz(MAX64G)
Display	1x HDMI,resolution up to 4096x 2160 @24Hz 1x VGA,resolution up to 1920 x 1200 @60Hz 1x DVI,resolution up to 1920 x 1200 @60Hz	
Audio	Line-out、Mic-in,HD audio, Realtek ALC897	Line-out、Mic-in,HD audio, Realtek ALC662
Ethernet	1x Intel i219LM GbE, 1x Intel i225-V GbE,10/100/1000Mbps	1x Intel i219LM GbE, 1x Intel i211AT GbE,10/100/1000Mbps
Serial port	Rear I/O: 1x RS232 Internal: 3x RS232,2x RS232/485(jumper)	
USB port	Rear I/O: 4x USB3.0、2x USB2.0 Header: 2x USB2.0 Internal: 1x USB2.0	
Other ports	1x PS/2	1x PS/2
Expansion slots	1x PCIe 16X 1x PCIe 4X 1x PCIe 1X 4x PCI 2x Mini PCI-E 1x SIM 8x GPIO	1x PCIe 16X 3x PCIe 4X 1x PCIe 1X 2x PCI 1x Mini PCI-E 1x SIM 8x GPIO
Storage	128G/256G/512G SSD optional(mSATA) 3x SATA3.0 interface	
Power supply	300/600/1000W ATX(optional)	
System	Windows 10 IoT LTSC, Linux	
Size	176 x 430 x 471.4mm【height x width x depth(with handle)176 x 430 x509.4mm】	
Installation mode	Standard can be put on the shelf	
Working temperature	0°C~ 60°C	
Storage temperatur	-20°C~75°C	
Relative humidity	95% @ 40 °C(non-condensing)	

PROPERTIES	T4U-B10/Q470	T4U-B10/Q670
CPU	Intel®10th Gen Core™/Pentium®/ Celeron®Desktop CPU	Intel®12th Gen Core™/Pentium® / Celeron®Desktop CPU
Chipset	Q470	Q670
BIOS	AMI UEFI BIOS(Support Watchdog Timer)	
Memory	DDR4 U-DIMM ,2400/2666/2933MHz(MAX 128G)	DDR4 U-DIMM ,3200MH(MAX 128G)
Display	1x HDMI, resolution up to 4096 x 2160 @30Hz 1x VGA,resolution up to 1920 x 1200 @60Hz 1x DVI,resolution up to 1920 x 1200 @60Hz	
Audio	Line-out、Mic-in,HD audio, Realtek HDA Codec	
Ethernet	1x Intel i219LM GbE, 10/100/1000Mbps 1x Intel i211AT GbE,10/100/1000Mbps	1x Intel i219-V GbE, 10/100/1000Mbps 1x Intel i225-V GbE, 10/100/1000/2500Mbps
Serial port	Rear I/O: 1x RS232 Internal: 3x RS232, 1x RS232/422/485(jumper), 1x RS232/485(jumper)	
USB port	Rear I/O: 4x USB3.0、2x USB2.0 Header: 2x USB2.0 Internal: 1x USB2.0	
Other ports	1x PS/2	
Expansion slots	2x PCIe 16X 3x PCIe 4X 2x PCI 1x Mini PCI-E 1x SIM 8x GPIO	2x PCIe 16X 4x PCIe 4X 1x PCI 1x M.2 8x GPIO
Storage	128G/256G/512G SSD optional(M.2) 3x SATA3.0 interface	
Power supply	300/600/1000W ATX(optional)	
System	Windows 10 IoT LTSC, Linux	
Size	471.4 x 430 x 176mm【height x widthx depth(with handle)509.4 x 430 x 176mm】	
Installation mode	Standard can be put on the shelf	
Working temperature	0°C~ 60°C	
Storage temperature	-20°C~75°C	
Relative humidity	95% @ 40 °C(non-condensing)	

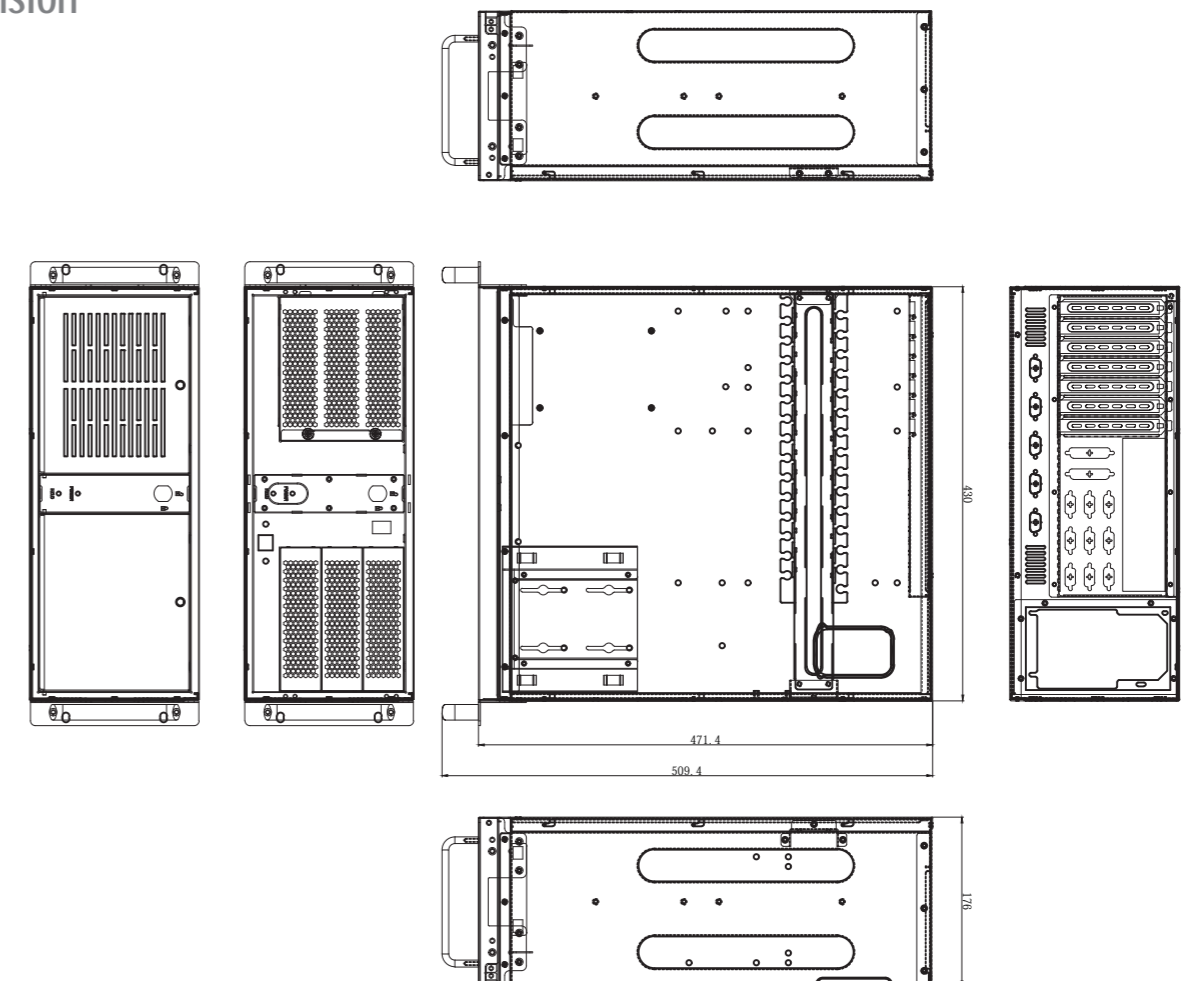
## Interface description

T4U-B10



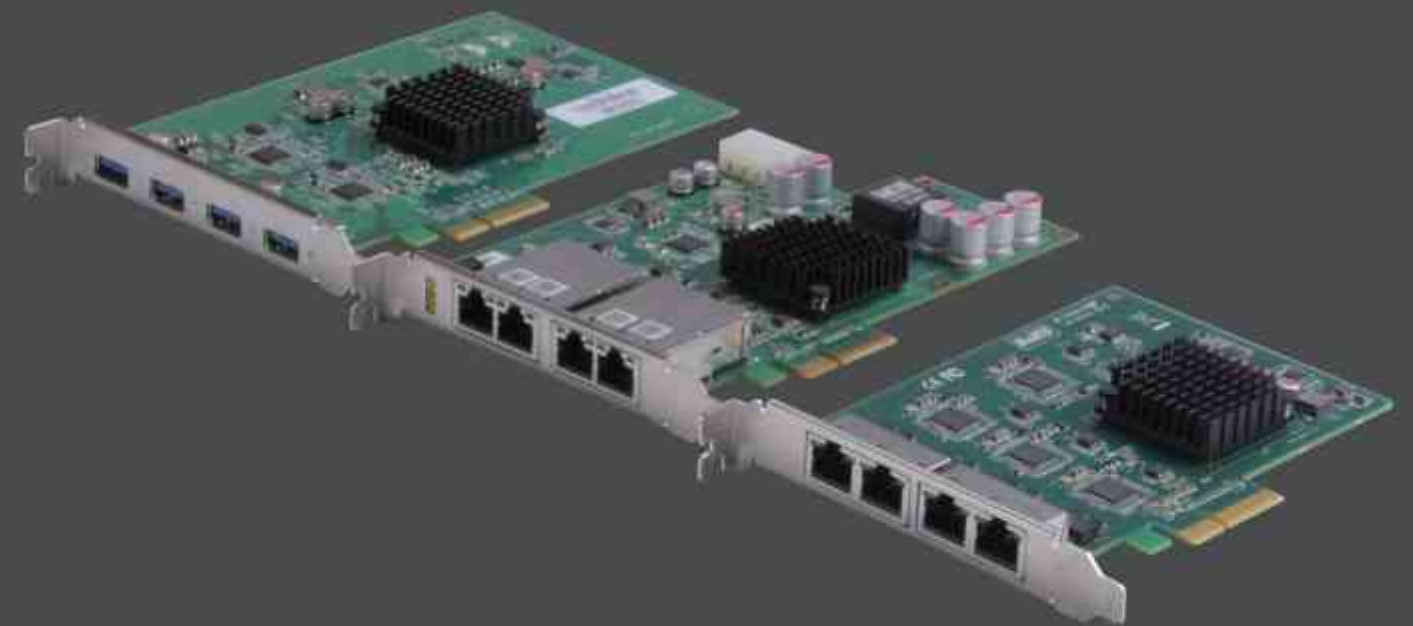
## Dimension

T4U-B10



\*Unit: mm

# PCI-EXPRESS



PCI-E expansion card extends the image acquisition function through PCI-E interface to provide high-speed image transmission channel to meet the high-speed transmission requirements of camera images.

## Naming rule

SPE	-	Z	FG	G	-	4	E
①		②	③	④		⑤	⑥
① IoT industrial controller accessories							
② Product labeling information							
③ Accessory type (FG expansion card)							
④ Interface type							
⑤ Interface numbers							
⑥ Electricity (E with electricity, omitted is no electricity)							

## Model list

MODEL	INTERFACE TYPE	INTERFACE NUMBERS	ELECTRICITY
SPE-ZFGG-4	GigE	4	No electricity
SPE-ZFGG-4E	GigE	4	Electricity
SPE-ZFGU-4	USB	4	No electricity

## 4-channel PCI Express GigE Vision expansion card

PROPERTIES	PARAMETER
Bus interface	PCI Express x4 Gen2
Ethernet port	4x 10/100/1000M bps RJ45 network interface Full-duplex and half-duplex intelligent detection and adaptation
Chip	Intel i210/i211AT
Function	Compatible with IEEE 802.1P/ 802.1Q/802.3 10Base-T/802.3u 100Base-TX/802.3ab 1000Base-T Support 9KB jumbo frames Support multi-card and multi-camera
Compatible slot	PCI-E 16x/8x/4x (PCIe 2x/1xSupport the rear opening of the connector)
Network environment	Gigabit and below networks
LED indicator	ACT: the indicator light flashes, and the port has data transmission LINK: when the indicator is always on, it indicates that the link is normal
Operating environment	Working temperature: 0°C~70°C Storage temperature: -40°C~70°C Relative humidity: 5%~90%, non-condensing
System supported	Windows XP/7/8/10、Linux
Product dimension	140 mm x 100 mm (width x length)

## 4-channel PCI Express GigE Vision PoE/PoE+ expansion card

PROPERTIES	PARAMETER
Bus interface	PCI Express x4 Gen2
Ethernet port	4x 10/100/1000M bps RJ45 network interface Full-duplex and half-duplex intelligent detection and adaptation
Chip	Intel i210/i211AT
Function	Power over Ethernet, compatible with IEEE 802.3af/at Support 9KB jumbo frames Support multi-card and multi-camera PoE power management PoE protection
Compatible slot	PCI-E 16x/8x/4x
Network environment	Gigabit and below networks
LED indicator	ACT: the indicator light flashes, and the port has data transmission LINK: when the indicator is always on, it indicates that the link is normal PoE: when the indicator light is always on, it indicates that the external equipment is powered normally
Power supply requirements	Use 4-pin power connector, maximum 100W PoE power supply (+12V@8A) Use PCIe slot, maximum 20W PoE power supply (+12V@2.1A)
Operating environment	Working temperature: 0°C~70°C Storage temperature: -40°C~70°C Relative humidity: 5%~90%, non-condensing
System supported	Windows XP/7/8/10、Linux
Product dimension	168 mm x 112 mm (width x length)

## 4-channel PCI Express USB3.1 expansion card

PROPERTIES	PARAMETER
Bus interface	PCI Express x4 Gen2 interface 310.otal bandwidth 2.5GB/s, each port provides up to 600MB/s
USB port	4×USB3.1 interface, compatible with USB3.0/USB2.0/1.1/1.0
USB connector	4×USB3.0 Type-A connector on the front panel (fixed with screw M2)
USB controller	2x ASM3142 master controller Comply with Universal Serial Bus 3.1 specification revision 1.0 Comply withIntel xHCI specification revision 1.0
USB per port current limit control	User can select 1500mA per port current limiting control
Power supply requirements	Power from PCI Express bus: maximum 2.0A @ 3.3V Power from PCI Express bus: maximum 2.8A @ 12V, for external equipment power supply
Working environment	Working temperature: 0°C~60°C , with wind flow Storage temperature: -40°C~70°C Relative humidity: 5%~90%, non-condensing
System supported	Windows 7/8/10、Linux
Dimension	168 mm x 112 mm (width × length)