



### Feature

- 10.1" 1024 x 600 TFT LCD, LED Backlight
- Built-in 4GB Flash Memory and RTC
- Fan-less Cooling System
- PCB coating process ensures high reliability to resist from corrosion in harsh environment.
- Built-in Power Isolation
- NEMA4 / IP66 Compliant Front Panel

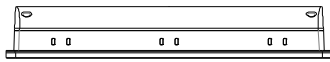
|                      |                                 |   |
|----------------------|---------------------------------|---|
| <b>Display</b>       | Display                         | 10.1" TFT   |
|                      | Resolution                      | 1024 x 600  |
|                      | Brightness (cd/m <sup>2</sup> ) | 350   |
|                      | Contrast Ratio                  | 500:1   |
|                      | Backlight Type                  | LED   |
|                      | Backlight Life Time             | >50,000 hrs.  |
|                      | Colors                          | 16.7M   |
|                      | LCD Viewing Angle (T/B/L/R)     | 70/70/80/80   |
|                      | Pixel Pitch (mm)                | 0.2175 (H) x 0.2088 (V)   |
| <b>Touch Panel</b>   | Type                            | 4-wire Resistive Type   |
|                      | Accuracy                        | Active Area Length(X)±2%, Width(Y)±2%   |
| <b>Memory</b>        | Flash                           | 4 GB  |
|                      | RAM                             | 1 GB  |
| <b>Processor</b>     |                                 | Quad-core RISC  |
| <b>I/O Port</b>      | SD Card Slot                    | N/A   |
|                      | USB Host                        | USB 2.0 x 1   |
|                      | USB Client                      | N/A   |
|                      | Ethernet                        | LAN 1: 10/100/1000 Base-T x 1<br>LAN 2: 10/100 Base-T x 1   |
|                      | COM Port                        | Con.A: COM2 RS-485 2W/4W, COM3 RS-485 2W<br>Con.B: COM1 RS-232 4W, COM3 RS-232 2W*<br>MPI is not supported. |
|                      | RS-485 Dual Isolation           | N/A   |
|                      | CAN Bus                         | N/A   |
|                      | Audio Output                    | N/A   |
|                      | Video Input                     | N/A   |
| <b>RTC</b>           |                                 | Built-in  |
| <b>Power</b>         | Input Power                     | 24±20%VDC   |
|                      | Power Isolation                 | Built-in  |
|                      | Power Consumption               | 1A@24VDC  |
|                      | Voltage Resistance              | 500VAC (1 min.)   |
|                      | Isolation Resistance            | Exceed 50MΩ at 500VDC   |
| <b>Specification</b> | PCB Coating                     | Yes   |
|                      | Enclosure                       | Plastic   |
|                      | Dimensions WxHxD                | 271 x 213 x 43 mm   |
|                      | Panel Cutout                    | 260 x 202 mm  |
|                      | Weight                          | Approx. 1.2 kg  |
|                      | Mount                           | Panel mount, VESA mount 75 x 75 mm  |
| <b>Environment</b>   | Protection Structure            | UL Type 4X (indoor use only) / NEMA4 / IP66 Compliant Front Panel   |
|                      | Storage Temperature             | -20° ~ 60°C (-4° ~ 140°F)   |
|                      | Operating Temperature           | 0° ~ 50°C (32° ~ 122°F)   |
|                      | Relative Humidity               | 10% ~ 90% (non-condensing)  |
| <b>Certificate</b>   | CE                              | CE marked   |
|                      | UL                              | cULus Listed  |
| <b>Software</b>      | EasyBuilder Pro                 | V6.05.02 or later versions  |
|                      | Weincloud                       | EasyAccess 2.0 (Optional), Dashboard* (Optional)  |
|                      | CODESYS®                        | Optional  |

\*Only Tx & Rx (no RTS/CTS) may be used for COM1 RS-232 when COM3 RS-232 is also used.

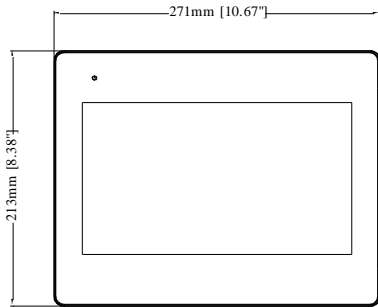
\* Dashboard requires EasyBuilder Pro V6.06.01 or later versions.

\* CODESYS® is a trademark of 3S-Smart Software Solutions GmbH.

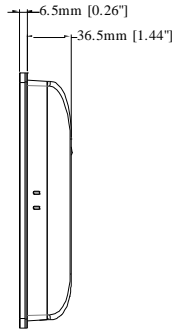
## Dimensions



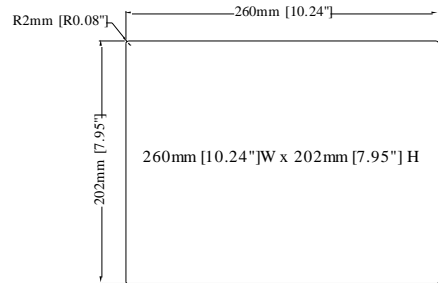
Top View



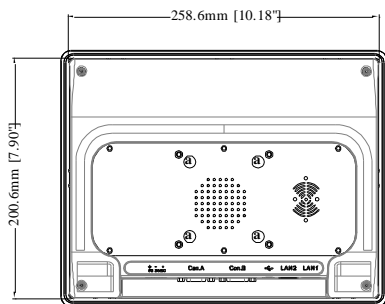
Front View



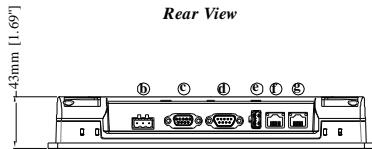
Side View



Cutout Dimensions



Rear View



Bottom View

|           |  |
|-----------|--|
| <b>a.</b> | VESA 75 mm Screw Holes                   |
| <b>b.</b> | Power Connector                          |
| <b>c.</b> | Con.A: COM2 RS-485 2W/4W, COM3 RS-485 2W |
| <b>d.</b> | Con.B: COM1 RS-232 4W, COM3 RS-232 2W    |
| <b>e.</b> | USB Host Port                            |
| <b>f.</b> | LAN 2                                    |
| <b>g.</b> | LAN 1                                    |

## Ordering Information

- cMT2108X:**  
10.1" 1024 x 600 TFT LCD HMI, Built-in 4GB flash memory / 1GB DDR3 RAM on board
- RZUSK7010 (included in package)**  
USB Clamp & Tying Strap
- Optional:
  - RZACEA020:** EasyAccess 2.0 Activation Card
  - RZ0CDS000:** CODESYS activation card & license sticker

### Pin Assignment:

Con.B: COM1 / COM3 [RS232], 9 Pin, Male, D-sub

| PIN# | COM1 [RS232] 4W | COM3 [RS232] 2W |
|------|-----------------|-----------------|
| 1    |                 |                 |
| 2    | RxD             |                 |
| 3    | TxD             |                 |
| 4    |                 |                 |
| 5    | GND             |                 |
| 6    |                 |                 |
| 7    | RTS             | TxD             |
| 8    | CTS             | RxD             |
| 9    | GND             |                 |

Con.A: COM2 / COM3 [RS485], 9 Pin, Female, D-sub

| PIN# | COM2 [RS485] 2W | COM2 [RS485] 4W | COM3 [RS485] 2W |
|------|-----------------|-----------------|-----------------|
| 1    | Data-           | Rx-             |                 |
| 2    | Data+           | Rx+             |                 |
| 3    |                 | Tx-             |                 |
| 4    |                 | Tx+             |                 |
| 5    | GND             |                 |                 |
| 6    |                 |                 | Data-           |
| 7    |                 |                 |                 |
| 8    |                 |                 |                 |
| 9    |                 |                 | Data+           |