

HC8114Z

FEATURES



- Intel® 12-14th Gen Core™ Processors
- 1xDP, 1xHDMI, 1xVGA
- 2 x DDR5 S0-DIMM sockets support up to 128GB memory
- 3 x Gigabit LAN(2 x Intel i210 and 1x Intel i219)
- 1x RS-232/422/485, 3x RS-232/485,2x RS-232
- 4x USB3.2,4x USB2.0
- Support 4G,Wi-Fi expansion
- 2x PCIe 5.0 x16 slot, 1x PCIe 4.0x4(x2 signal)
- Compact and Rugged design

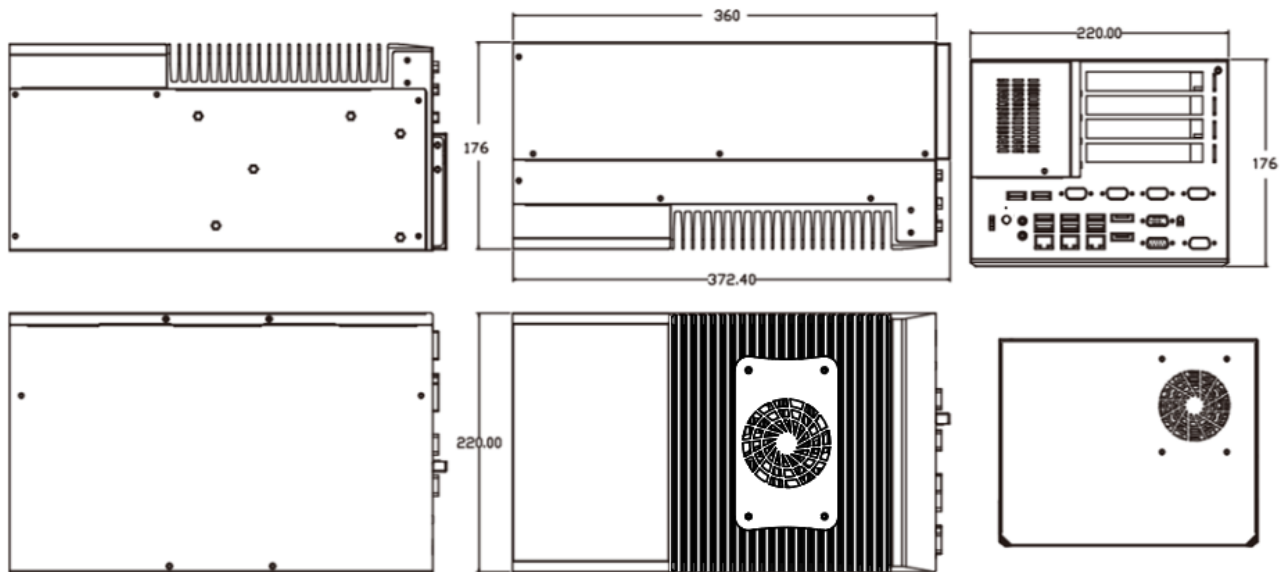
Product Parameters

System parameters	CPU	Intel® 12-14th Gen Core™ I5-12400/I7-12700/I9-12900 Processors
	chipset	H610
	BIOS	AMI 128Mbit SPI Flash
	memory	2 x SODIMM DDR5, MAX 128GB
	storage	1x M.2 M-Key 2280, SATA3.0; 2x SATA
External I/O	display	1x DP, MAX 4096 x 2304@60Hz; 1x HDMI, MAX 4096 x 2160@30Hz; 1x VGA, MAX 1920 x 1200@60Hz
	Ethernet	1x LAN, Intel® I219; 2x LAN, Intel® I210
	COM	1x RS-232/422/485; 3x RS-232/485; 2x RS-232
	USB	4x USB3.2; 4x USB2.0
	Audio	1x Line-out、1x Mic-in
Other	REMOTE	Support remote switch
	RESET	Support long - press restart

Product Parameters		
Internal Expansion	USB	2x USB2.0, Type-A
	M.2	1x M.2 E-Key 2230, support Wi-Fi (support PCIe); 1x M.2 B-Key 3042, support 4G
	SIM	1x NANO SIM
	PCIe	2 x PCIe 16x (5.0) ; 1 x PCIe 4x (4.0, x2 signal)
	PCI	/
System	OS	Windows 10/11, centos 8, ubuntu 20.04/22.04
Power supply	input voltage	AC 90~264V
	power	800W
Mechanical parameters	installation	wall-mounted installation
	dimensions	220x360 x176mm (LxWxH)
	net weight	5.0kg
Environmental parameters	operating temperature	0~50°C
	storage temperature	-40°C ~85°C
	relative humidity	10 ~ 95% @ 40°C (non-condensing)
	EMC	CE、FCC Class B

HC8114Z

unit: mm



Ordering information

Model	CPU	MEM	SSD(M.2)	SSD(2.5")	HDD(3.5")	Expansion Module
HC8010-S12XXX	i3-12100	8G/16G /32G	128G/256G/512G/1T	512G/1T/2T/4T	1T/2T/4T	4G/WiFi
HC8010-C12XXX	i5-12400	/8G*2 /16G*2	128G/256G/512G/1T	512G/1T/2T/4T	/8T/10T/12T /16T/18T/20T	4G/WiFi
HC8010-M12XXX	i7-12700	/32G*2 DDR5	128G/256G/512G/1T	512G/1T/2T/4T	/22T/24T	4G/WiFi

*XXX represents MEM of 2^X, SSD capacity of 2^X, and HDD capacity of XT in sequence.

*The packing list of this series of products includes: HC8010 High - Performance Embedded Industrial Computer * 1, Mounting Ear and Hanging Kit * 1, Power Phoenix Terminal * 1